

GE8038 XPressure Series

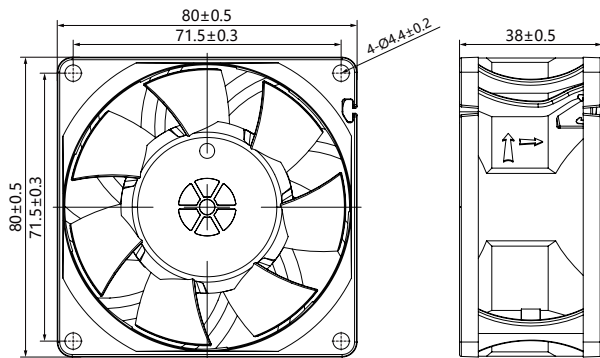
80x80x38mm (3.1"x3.1"x1.5")



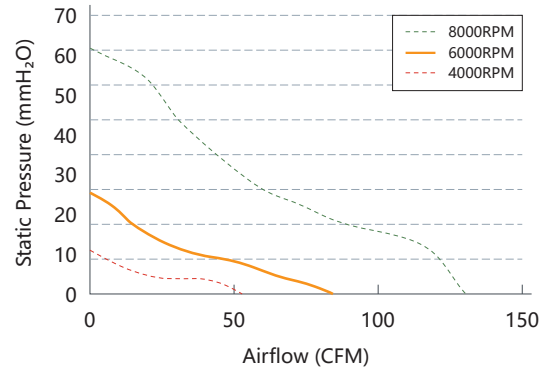
XPressure Series

Fan Frame:	Thermoplastic PBT UL 94V-0
Fan Impeller:	Thermoplastic PBT UL 94V-0
Bearing system:	Ball bearing
Operation Temp:	-30~70°C
Service Life:	70000hours @40°C
Weight:	177.6g

Engineering Drawing (mm)



Air Performance



Available Functions

Motor protection

RP	SS	AS	CL	OVP
<input type="radio"/>	<input type="radio"/>	<input checked="" type="radio"/>	<input type="radio"/>	<input type="radio"/>

Signal output

FG	RD	RDB	LD
<input checked="" type="radio"/>	<input checked="" type="radio"/>	<input type="radio"/>	<input type="radio"/>

Speed control mode

PWM	TC	VC	CC	CS
<input checked="" type="radio"/>	<input type="radio"/>	<input type="radio"/>	<input type="radio"/>	<input type="radio"/>

Specifications

Model	Voltage	Voltage Range	Freq.	Power	Speed	Maximum Air Flow	Maximum Air Pressure	Noise		
No.	VAC	VAC	Hz	W	RPM	m ³ /min	CFM	mmH ₂ O	INH ₂ O	dB(A)
GE8038M1/2	110/220	100~240	50/60	10	6000	2.39	84.32	24.95	0.98	57.3

DC Axial Fan - GD Series
DC Radial Fan - GRD Series
EC Axial Fan - GE Series