

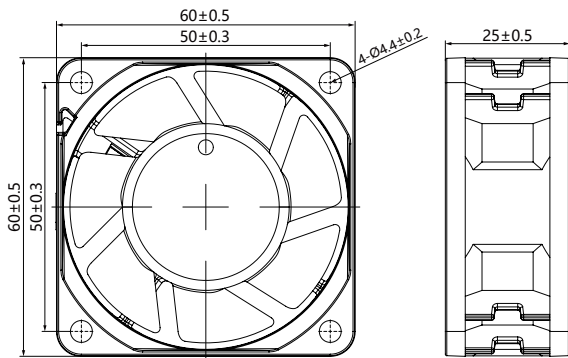
# GE6025 Series

60x60x25mm (2.4"x2.4"x1")

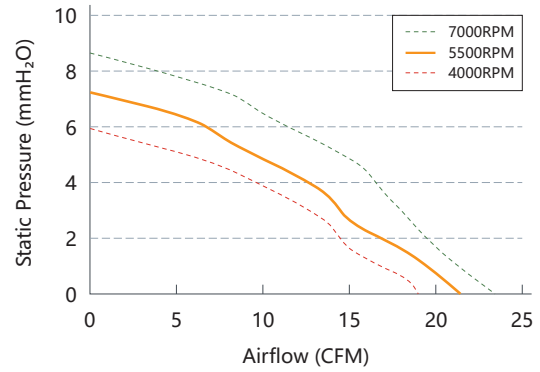


Fan Frame: Thermoplastic PBT UL 94V-0  
 Fan Impeller: Thermoplastic PBT UL 94V-0  
 Bearing system: Ball bearing and Sleeve bearing available  
 Operation Temp: -30~70°C (Ball bearing)  
 -10~55°C (Sleeve bearing)  
 Service Life: 70000hours @40°C (Ball bearing)  
 30000hours @40°C (Sleeve bearing)  
 Weight: 61.2g

## Engineering Drawing (mm)



## Air Performance



## Available Functions

### Motor protection

RP	SS	AS	CL	OVP
<input type="radio"/>	<input type="radio"/>	<input checked="" type="radio"/>	<input type="radio"/>	<input type="radio"/>

### Signal output

FG	RD	RDB	LD
<input type="radio"/>	<input type="radio"/>	<input type="radio"/>	<input type="radio"/>

### Speed control mode

PWM	TC	VC	CC	CS
<input type="radio"/>	<input type="radio"/>	<input type="radio"/>	<input type="radio"/>	<input type="radio"/>

## Specifications

Model	Voltage	Voltage Range	Freq.	Power	Speed	Maximum Air Flow	Maximum Air Pressure	Noise		
No.	VAC	VAC	Hz	W	RPM	m <sup>3</sup> /min	CFM	mmH <sub>2</sub> O	INH <sub>2</sub> O	dB(A)
GE6025M1/2	110/220	100~240	50/60	3	5500	0.612	21.62	7.236	0.285	38