

GW170E

172x150x55mm (6.7"x5.9"x2.1")



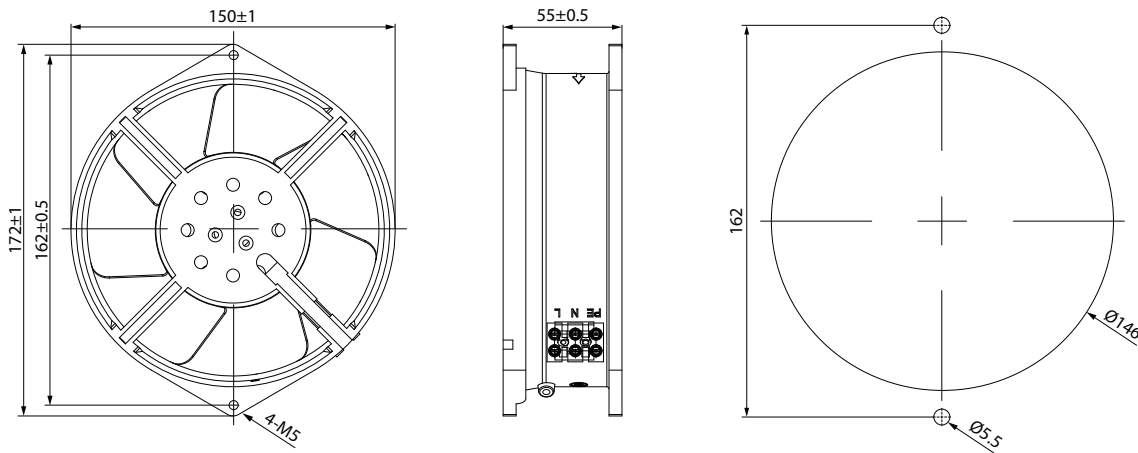
Full Metal

Fan Frame: Die-cast Aluminum(Black or Silver coating)
 Fan Impeller: Metal
 Operation Temp: -30~80°C
 Operation Voltage Range: 110V(±10%); 220V(±10%)
 Dielectric Strength: 5mA Max.at 1500V for 1 min
 Safety: Impedance Protected
 Termination: Lead Wire; Pin
 Weight: 1200g
 Protection Class: IP44
 Insulation: Class A
 Option: Customized high temperature 150°C; IP55/IP67

Specifications

Model	Bearing	Blades	Voltage	Freq.	Current	Power	Speed	Noise	Max. Air Flow	Pressure	
No.			VAC	Hz	A	W	RPM	dB(A)	m³/h	CFM	mmH ₂ O
GW170E1	Ball	7	100/125	50/60	0.55/0.58	37/35	2800/3100	48/52	297.5/323	175/190	12.9/11.2
GW170E2	Ball	7	200/240	50/60	0.22/0.2	37/35	2800/3100	48/52	297.5/323	175/190	12.9/11.2
GW170E3	Ball	7	360/400	50/60	0.12/0.1	37/35	2800/3100	48/52	297.5/323	175/190	12.9/11.2

Engineering Drawing (mm)



Air Performance

