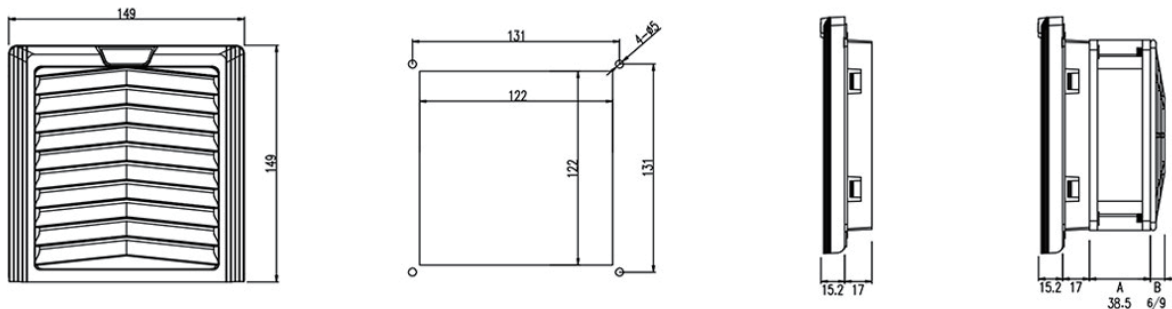


Engineering Drawing (mm)



Specifications

Model No. (Filter fan unit)	GX122.230	GX122.115	GX122.024
Rated operating voltage	220 ~ 240V	110 ~ 120V	24V
Frequency	50/60 Hz	50/60 Hz	/
Air flow rate (Free blow)	65/85 m ³ /h		85 m ³ /h
Air flow rate with filter	1 x GX122.300: 55/70 m ³ /h		
Axial fan	Self starting shaded pole motor		
Max. rated current	0.12A / 0.11A	0.24A / 0.22A	0.35A
Rated Power	19/18W		7.7W
Noise level	41/42 dB(A)		41 dB(A)
Operating temperature range	-20°C ~ 65°C		
Model No. (Exit filter)	GX122.300		
Optional Fan Size	1) 120x120x25mm; 2) 120x120x38mm		
Material	ABS; ABS plastic with UL 94V-0 as customized option		
Air flow direction	Air-in as default; air-out optional		
Protection Level	IP54		