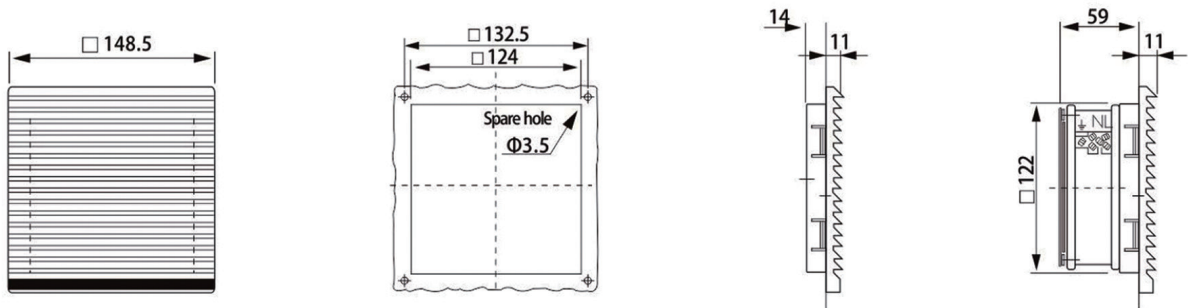


Engineering Drawing (mm)



Specifications

| Model No. (Filter fan unit) | GF6622.230 | GF6622.115 | GF6622.024 |
|-----------------------------|---|------------|----------------------|
| Rated operating voltage | 220 ~ 240V | 110 ~ 120V | 24V |
| Frequency | 50/60 Hz | 50/60 Hz | / |
| Air flow rate (Free blow) | 65/85 m ³ /h | | 85 m ³ /h |
| Air flow rate with filter | 1 x GF6622.300:55/70 m ³ /h | | |
| Axial fan | Self starting shaded pole motor | | |
| Max. rated current | 0.12/0.11A | 0.24/0.22A | 0.35A |
| Rated Power | 19/18W | | 7.7W |
| Noise level | 41/42 dB(A) | | 41 dB(A) |
| Operating temperature range | -30°C ~ 70°C | | |
| Model No. (Exit filter) | GF6622.300 | | |
| Optional Fan Size | 1) 120x120x38mm | | |
| Material | ABS; ABS plastic with UL 94V-0 as customized option | | |
| Air flow direction | Air-in as default; air-out optional | | |
| Protection Level | IP54 | | |