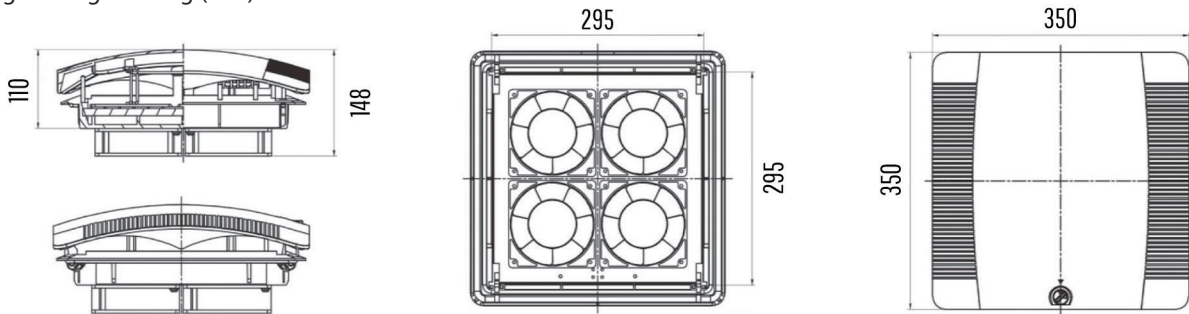




FEATURES:

- Easy and fast mounting without screw
- Adjustable mounting clamps fit for different cabinet thickness range from 1.5 to 3.5mm
- IP32 protection, G3 standard filter pad
- Tool-less and quick replacement of the filter pad, just turn the button on the top
- Ac voltage is a standard type, DC voltage could be offered

Engineering Drawing (mm)



Specifications

Model No. (Cabinet Roof Fan)	GEF600.230	GEF600.115	GEF600.024
Rated operating voltage	230V	115V	24V
Frequency	50/60 Hz	50/60 Hz	50/60 Hz
Air flow rate (Free blow)	415/500 m ³ /h	415/500 m ³ /h	500 m ³ /h
Rated current	0.14/0.10A	0.24/0.18A	0..28/0.35A
Rated Power	19/14W	19/14W	7.7W
Noise level	46/48 dB(A)	46/48 dB(A)	47/49 dB(A)
Operating temperature range		-10°C ~ 60°C	
Dimensions		350x350x148mm	
Fan option		120x120x38mm, 4pcs	
Mounting section size		295x295mm	