

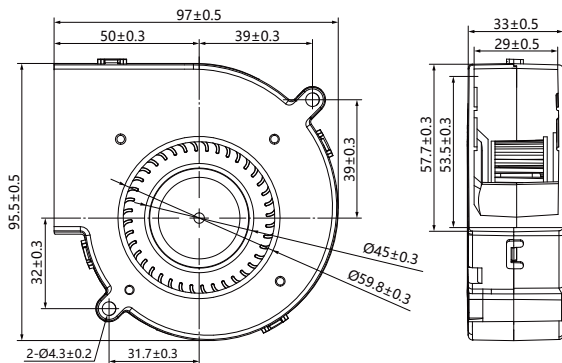
# GRD9733 Series

97x97x33mm (3.8"x3.8"x1.3")

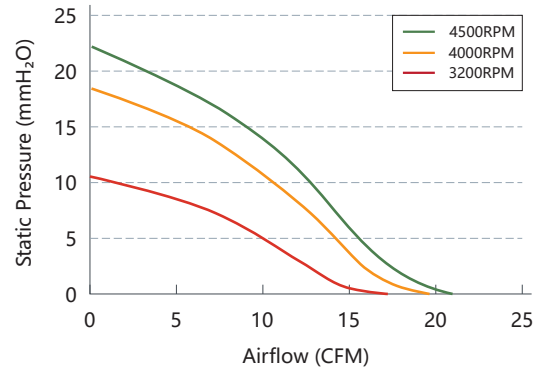


Fan Frame: Thermoplastic PBT UL 94V-0  
 Fan Impeller: Thermoplastic PBT UL 94V-0  
 Bearing system: Ball bearing  
 Operation Temp: -30~70°C  
 Service Life: 70000hours @40°C  
 Weight: 168.3g

## Engineering Drawing (mm)



## Air Performance



## Available Functions

### Motor protection

RP	SS	AS	CL	OVP
●	●	●	○	○

### Signal output

FG	RD	RDB	LD
●	●	○	○

### Speed control mode

PWM	TC	VC	CC	CS
●	○	○	○	○

## Specifications

Model	Voltage	Voltage Range	Current	Power	Speed	Maximum Air Flow	Maximum Air Pressure	Noise		
No.	VDC	VDC	A	W	RPM	m <sup>3</sup> /min	CFM	mmH <sub>2</sub> O	INH <sub>2</sub> O	dB(A)
GRD9733L12	12	6.0 to 13.5	0.3	3.6	3200	0.49	17.54	10.85	0.43	46.5
GRD9733L24	24	18 to 26.5	0.18	4.32	3200	0.49	17.54	10.85	0.43	46.5
GRD9733M12	12	6.0 to 13.5	0.54	6.48	4000	0.56	19.83	18.6	0.73	52.1
GRD9733M24	24	18 to 26.5	0.32	7.68	4000	0.56	19.83	18.6	0.73	52.1
GRD9733H12	12	6.0 to 13.5	0.68	8.16	4500	0.6	21.23	22.48	0.88	54
GRD9733H24	24	18 to 26.5	0.4	9.6	4500	0.6	21.23	22.48	0.88	54