

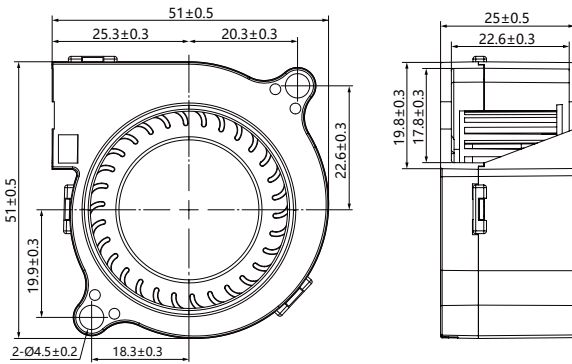
GRD5025 Series

50x50x25mm (2"x2"x1")

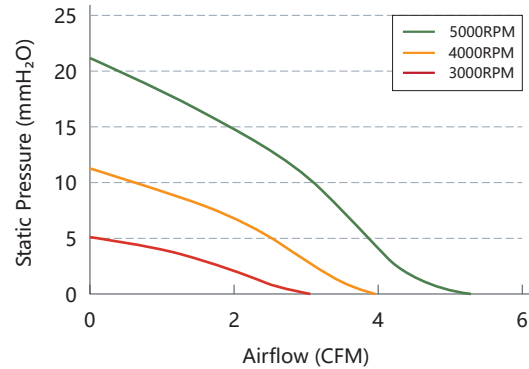


Fan Frame: Thermoplastic PBT UL 94V-0
 Fan Impeller: Thermoplastic PBT UL 94V-0
 Bearing system: Ball bearing
 Operation Temp: -30~70°C
 Service Life: 70000hours @40°C
 Weight: 26.3g

Engineering Drawing (mm)



Air Performance



Available Functions

Motor protection

RP	SS	AS	CL	OVP
●	●	●	○	○

Signal output

FG	RD	RDB	LD
●	●	○	○

Speed control mode

PWM	TC	VC	CC	CS
●	○	○	○	○

Specifications

Model	Voltage	Voltage Range	Current	Power	Speed	Maximum Air Flow	Maximum Air Pressure	Noise		
No.	VDC	VDC	A	W	RPM	m ³ /min	CFM	mmH ₂ O	INH ₂ O	dB(A)
GRD5025L05	5	3.6 to 6.8	0.16	0.8	3000	0.087	3.09	5.222	0.206	34.5
GRD5025L12	12	6.0 to 13.5	0.11	1.32	4000	0.113	3.993	11.24	0.442	40.3
GRD5025M05	5	3.6 to 6.8	0.35	1.75	5000	0.151	5.305	20.801	0.819	46.2
GRD5025M12	12	6.0 to 13.5	0.2	2.4	3000	0.087	3.09	5.222	0.206	34.5
GRD5025M24	24	18 to 26.5	0.1	2.4	4000	0.113	3.993	11.24	0.442	40.3
GRD5025H12	12	6.0 to 13.5	0.25	3	5000	0.151	5.305	20.801	0.819	46.2
GRD5025H24	24	18 to 26.5	0.12	2.88	4000	0.113	3.993	11.24	0.442	40.3