

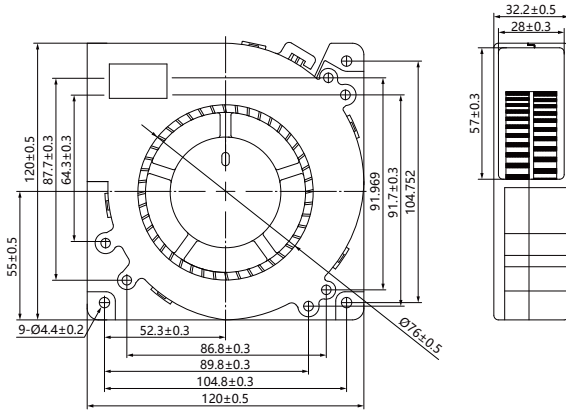
GRD12032 Series

120x120x32mm (4.7"x4.7"x1.3")

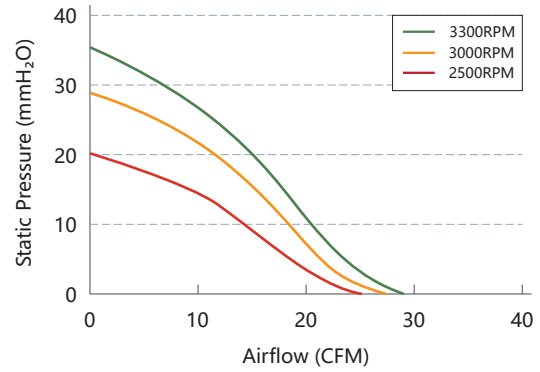


Fan Frame: Thermoplastic PBT UL 94V-0
 Fan Impeller: Thermoplastic PBT UL 94V-0
 Bearing system: Ball bearing
 Operation Temp: -30~70°C
 Service Life: 70000hours @40°C
 Weight: 219.7g

Engineering Drawing (mm)



Air Performance



Available Functions

Motor protection

RP	SS	AS	CL	OVP
●	●	●	○	○

Signal output

FG	RD	RDB	LD
●	●	○	○

Speed control mode

PWM	TC	VC	CC	CS
●	○	○	○	○

Specifications

Model	Voltage	Voltage Range	Current	Power	Speed	Maximum Air Flow	Maximum Air Pressure	Noise		
No.	VDC	VDC	A	W	RPM	m ³ /min	CFM	mmH ₂ O	INH ₂ O	dB(A)
GRD12032L12	12	6.0 to 13.5	0.6	7.2	2500	0.71	25.11	20.4	0.80	50.6
GRD12032L24	24	18 to 26.5	0.25	6						
GRD12032M12	12	6.0 to 13.5	1	12						
GRD12032M24	24	18 to 26.5	0.5	12	3000	0.773	27.32	28.7	1.13	55.5
GRD12032M48	48	36 to 54	0.3	14.4						
GRD12032H12	12	6.0 to 13.5	1.46	17.52						
GRD12032H24	24	18 to 26.5	0.65	15.6	3300	0.821	29.02	35.4	1.39	59.8
GRD12032H48	48	36 to 54	0.4	19.2						