



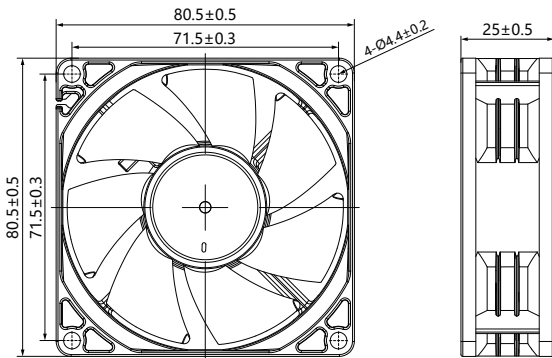
Xflow Series

# GE8025 Xflow Series

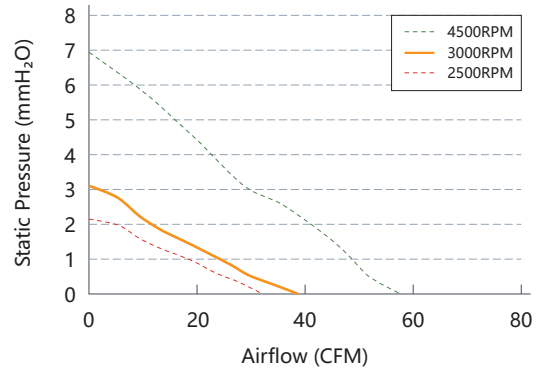
80x80x25mm (3.1"x3.1"x1")

Fan Frame:	Thermoplastic PBT UL 94V-0
Fan Impeller:	Thermoplastic PBT UL 94V-0
Bearing system:	Ball bearing and Sleeve bearing available
Operation Temp:	-30~70°C (Ball bearing) -10~55°C (Sleeve bearing)
Service Life:	70000hours @40°C (Ball bearing) 30000hours @40°C (Sleeve bearing)
Weight:	72g

## Engineering Drawing (mm)



## Air Performance



## Available Functions

### Motor protection

RP	SS	AS	CL	OVP
<input type="radio"/>	<input type="radio"/>	<input checked="" type="radio"/>	<input type="radio"/>	<input type="radio"/>

### Signal output

FG	RD	RDB	LD
<input checked="" type="radio"/>	<input checked="" type="radio"/>	<input type="radio"/>	<input type="radio"/>

### Speed control mode

PWM	TC	VC	CC	CS
<input checked="" type="radio"/>	<input type="radio"/>	<input type="radio"/>	<input type="radio"/>	<input type="radio"/>

## Specifications

Model	Voltage	Voltage Range	Freq.	Power	Speed	Maximum Air Flow	Maximum Air Pressure	Noise		
No.	VAC	VAC	Hz	W	RPM	m <sup>3</sup> /min	CFM	mmH <sub>2</sub> O	INH <sub>2</sub> O	dB(A)
GE8025M110	110/220	100~240	50/60	4.8	3000	1.08	38.23	3.1	0.12	35.7
GE8025M220										