

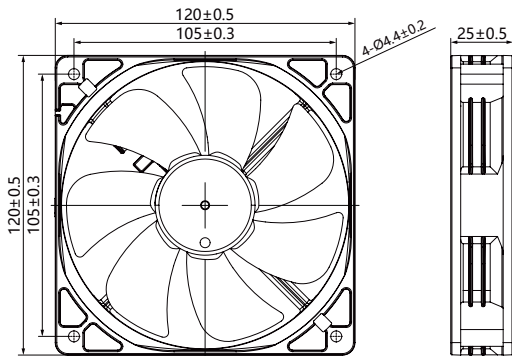
GE12025 Series

120x120x25mm (4.7"x4.7"x1")

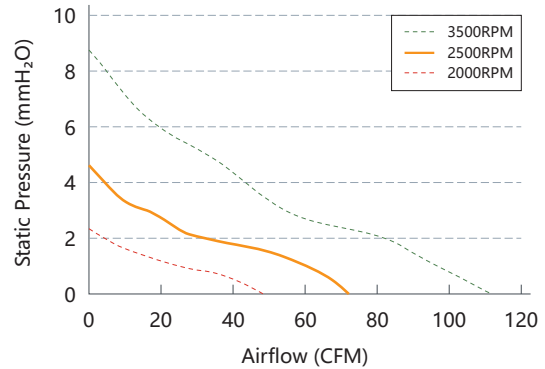


Fan Frame: Thermoplastic PBT UL 94V-0
 Fan Impeller: Thermoplastic PBT UL 94V-0
 Bearing system: Ball bearing and Sleeve bearing available
 Operation Temp: -30~70°C (Ball bearing)
 -10~55°C (Sleeve bearing)
 Service Life: 70000hours @40°C (Ball bearing)
 30000hours @40°C (Sleeve bearing)
 Weight: 121.3g

Engineering Drawing (mm)



Air Performance



Available Functions

Motor protection

| | | | | |
|-----------------------|-----------------------|----------------------------------|-----------------------|-----------------------|
| RP | SS | AS | CL | OVP |
| <input type="radio"/> | <input type="radio"/> | <input checked="" type="radio"/> | <input type="radio"/> | <input type="radio"/> |

Signal output

| | | | |
|----------------------------------|----------------------------------|-----------------------|-----------------------|
| FG | RD | RDB | LD |
| <input checked="" type="radio"/> | <input checked="" type="radio"/> | <input type="radio"/> | <input type="radio"/> |

Speed control mode

| | | | | |
|----------------------------------|-----------------------|-----------------------|-----------------------|-----------------------|
| PWM | TC | VC | CC | CS |
| <input checked="" type="radio"/> | <input type="radio"/> | <input type="radio"/> | <input type="radio"/> | <input type="radio"/> |

Specifications

| Model | Voltage | Voltage Range | Freq. | Power | Speed | Maximum Air Flow | Maximum Air Pressure | Noise | | |
|-------------|---------|---------------|-------|-------|-------|---------------------|----------------------|--------------------|--------------------|-------|
| No. | VAC | VAC | Hz | W | RPM | m ³ /min | CFM | mmH ₂ O | INH ₂ O | dB(A) |
| GE12025M110 | 110/220 | 100~240 | 50/60 | 8 | 2500 | 2.08 | 73.45 | 4.65 | 0.18 | 36.8 |
| GE12025M220 | | | | | | | | | | |