

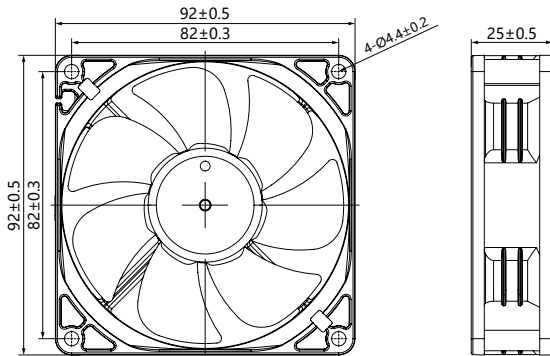
GD9225 Series

92x92x25mm (3.6"x3.6"x1")

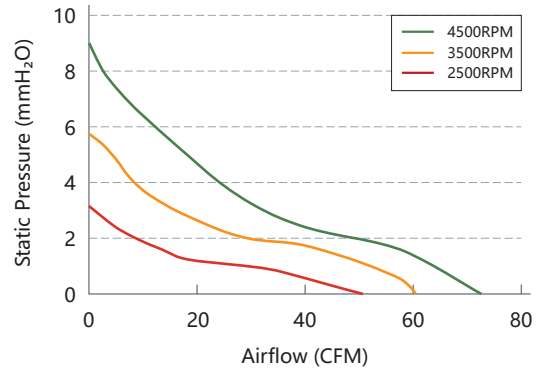


Fan Frame: Thermoplastic PBT UL 94V-0
 Fan Impeller: Thermoplastic PBT UL 94V-0
 Bearing system: Ball bearing and Sleeve bearing available
 Operation Temp: -30~70°C (Ball bearing)
 -10~55°C (Sleeve bearing)
 Service Life: 70000hours @40°C (Ball bearing)
 30000hours @40°C (Sleeve bearing)
 Weight: 102g
 Option: Customized IP67/IP68 protection level

Engineering Drawing (mm)



Air Performance



Available Functions

Motor protection

| | | | | |
|----|----|----|----|-----|
| RP | SS | AS | CL | OVP |
| ● | ● | ● | ○ | ○ |

Signal output

| | | | |
|----|----|-----|----|
| FG | RD | RDB | LD |
| ● | ● | ○ | ○ |

Speed control mode

| | | | | |
|-----|----|----|----|----|
| PWM | TC | VC | CC | CS |
| ● | ○ | ○ | ○ | ○ |

Specifications

| Model | Voltage | Voltage Range | Current | Power | Speed | Maximum Air Flow | Maximum Air Pressure | Noise | | |
|-----------|---------|---------------|---------|-------|-------|---------------------|----------------------|--------------------|--------------------|-------|
| No. | VDC | VDC | A | W | RPM | m ³ /min | CFM | mmH ₂ O | INH ₂ O | dB(A) |
| GD9225L12 | 12 | 6.0 to 13.5 | 0.15 | 1.8 | | | | | | |
| GD9225L24 | 24 | 18 to 26.5 | 0.08 | 1.92 | 2500 | 1.43 | 50.66 | 3.23 | 0.13 | 33.6 |
| GD9225L48 | 48 | 36 to 54 | 0.04 | 1.92 | | | | | | |
| GD9225M12 | 12 | 6.0 to 13.5 | 0.3 | 3.6 | | | | | | |
| GD9225M24 | 24 | 18 to 26.5 | 0.15 | 3.6 | 3500 | 1.71 | 60.25 | 5.94 | 0.23 | 40.9 |
| GD9225M48 | 48 | 36 to 54 | 0.12 | 5.76 | | | | | | |
| GD9225H12 | 12 | 6.0 to 13.5 | 0.45 | 5.4 | | | | | | |
| GD9225H24 | 24 | 18 to 26.5 | 0.25 | 6 | 4500 | 2.06 | 72.79 | 9.3 | 0.37 | 45.3 |
| GD9225H48 | 48 | 36 to 54 | 0.12 | 5.76 | | | | | | |