

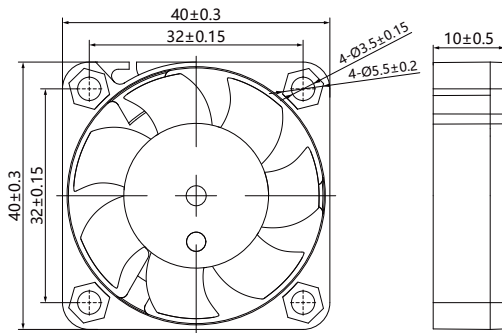
# GD4010 Series

40x40x10mm (1.6"x1.6"x0.4")

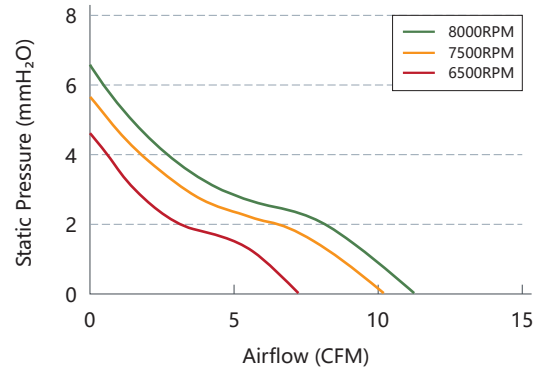


Fan Frame: Thermoplastic PBT UL 94V-0  
 Fan Impeller: Thermoplastic PBT UL 94V-0  
 Bearing system: Ball bearing and Sleeve bearing available  
 Operation Temp: -30~70°C (Ball bearing)  
 -10~55°C (Sleeve bearing)  
 Service Life: 70000hours @40°C (Ball bearing)  
 30000hours @40°C (Sleeve bearing)  
 Weight: 14.1g

## Engineering Drawing (mm)



## Air Performance



## Available Functions

### Motor protection

RP	SS	AS	CL	OVP
●	●	●	○	○

### Signal output

FG	RD	RDB	LD
●	●	○	○

### Speed control mode

PWM	TC	VC	CC	CS
●	○	○	○	○

## Specifications

Model	Voltage	Voltage Range	Current	Power	Speed	Maximum Air Flow	Maximum Air Pressure	Noise		
No.	VDC	VDC	A	W	RPM	m <sup>3</sup> /min	CFM	mmH <sub>2</sub> O	INH <sub>2</sub> O	dB(A)
GD4010L05	5	3.6 to 6.8	0.2	1	6500	0.2	7.24	4.7	0.19	28.6
GD4010M12	12	6.0 to 13.5	0.12	1.44	7500	0.29	10.22	5.76	0.23	30.5
GD4010M24	24	18 to 26.5	0.06	1.44	7500	0.29	10.22	5.76	0.23	30.5
GD4010H12	12	6.0 to 13.5	0.19	2.28	8000	0.32	11.29	6.49	0.26	33.4
GD4010H24	24	18 to 26.5	0.08	1.92	8000	0.32	11.29	6.49	0.26	33.4