

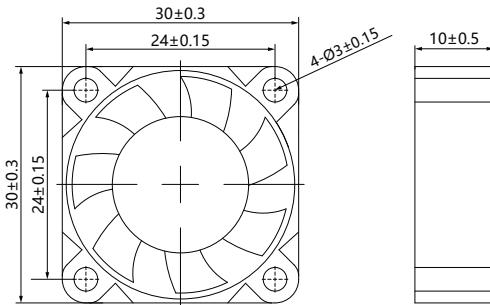
GD3010 Series

30x30x10mm (1.2"x1.2"x0.4")

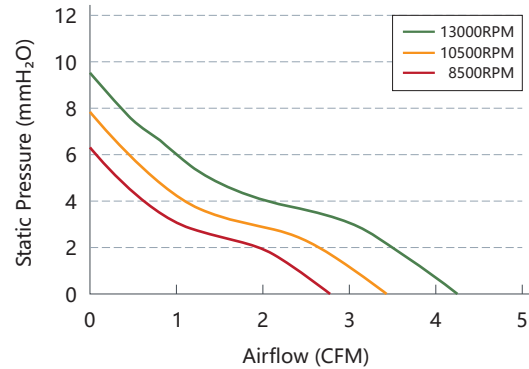


Fan Frame: Thermoplastic PBT UL 94V-0
 Fan Impeller: Thermoplastic PBT UL 94V-0
 Bearing system: Ball bearing and Sleeve bearing available
 Operation Temp: -30~70°C (Ball bearing)
 -10~55°C (Sleeve bearing)
 Service Life: 70000hours @40°C (Ball bearing)
 30000hours @40°C (Sleeve bearing)
 Weight: 7.6g

Engineering Drawing (mm)



Air Performance



Available Functions

Motor protection

RP	SS	AS	CL	OVP
●	●	●	○	○

Signal output

FG	RD	RDB	LD
●	●	○	○

Speed control mode

PWM	TC	VC	CC	CS
●	○	○	○	○

Specifications

Model	Voltage	Voltage Range	Current	Power	Speed	Maximum Air Flow	Maximum Air Pressure	Noise		
No.	VDC	VDC	A	W	RPM	m ³ /min	CFM	mmH ₂ O	INH ₂ O	dB(A)
GD3010L05	5	3.6 to 6.8	0.11	0.55						
GD3010L12	12	6.0 to 13.5	0.04	0.48	8500	0.08	2.76	6.39	0.25	27.5
GD3010L24	24	18 to 26.5	0.02	0.48						
GD3010M05	5	3.6 to 6.8	0.18	0.9						
GD3010M12	12	6.0 to 13.5	0.01	0.12	10500	0.1	3.41	7.89	0.31	30.2
GD3010M24	24	18 to 26.5	0.01	0.24						
GD3010H05	5	3.6 to 6.8	0.29	1.45						
GD3010H12	12	6.0 to 13.5	0.12	1.44	13000	0.12	4.22	9.77	0.39	34.2
GD3010H24	24	18 to 26.5	0.05	1.2						