

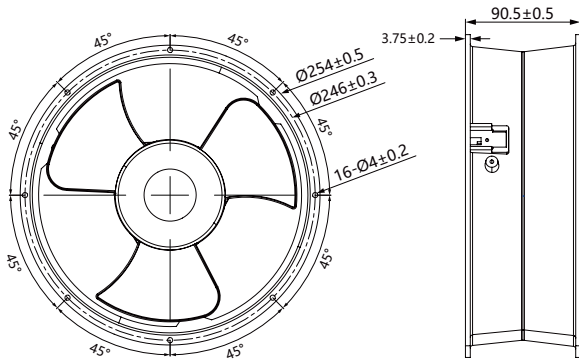
GD25489 Series

Ø254x89mm (Ø10"x3.5")

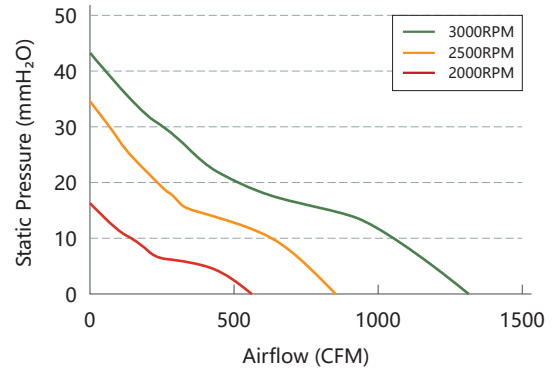


Fan Frame: Aluminum ADC-12, Painted Black
 Fan Impeller: Thermoplastic PBT UL 94V-0
 Bearing system: Ball bearing
 Operation Temp: -30~70°C
 Service Life: 70000hours @40°C
 Weight: 2600g

Engineering Drawing (mm)



Air Performance



Available Functions

Motor protection

RP	SS	AS	CL	OVP
●	●	●	○	○

Signal output

FG	RD	RDB	LD
●	●	○	○

Speed control mode

PWM	TC	VC	CC	CS
●	○	○	○	○

Specifications

Model	Voltage	Voltage Range	Current	Power	Speed	Maximum Air Flow	Maximum Air Pressure	Noise		
No.	VDC	VDC	A	W	RPM	m ³ /min	CFM	mmH ₂ O	INH ₂ O	dB(A)
GD25489L12	12	6.0 to 13.5	3.5	42						
GD25489L24	24	18 to 26.5	1.5	36	2000	16	565	16.4	0.65	63.8
GD25489L48	48	36 to 54	0.8	38.4						
GD25489M24	24	18 to 26.5	3.7	88.8	3000	24.5	864	34.4	1.35	73.5
GD25489M48	48	36 to 54	1.9	91.2						
GD25489H24	24	18 to 26.5	7.8	187.2	4000	37.4	1321	43	1.7	90
GD25489H48	48	36 to 54	4	192						