

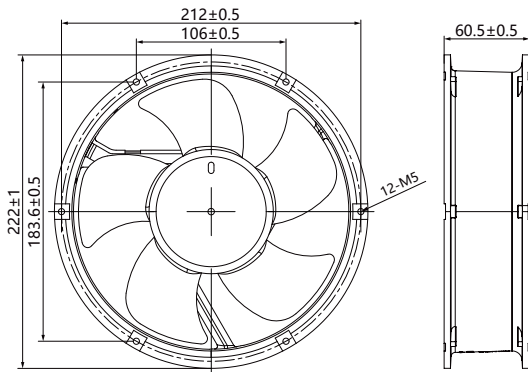
GD22060 Series

Ø220x60mm (Ø8.7"x2.4")

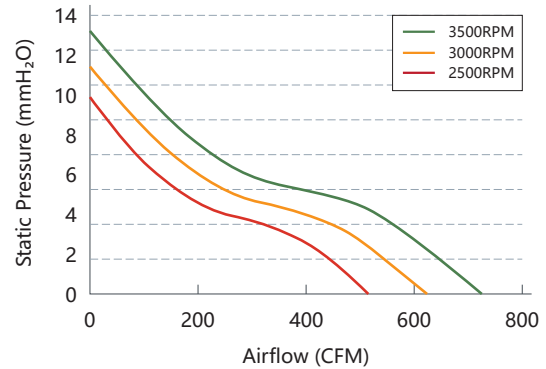


Fan Frame: Aluminum ADC-12, Painted Black
 Fan Impeller: Thermoplastic PBT UL 94V-0
 Bearing system: Ball bearing
 Operation Temp: -30~70°C
 Service Life: 70000hours @40°C
 Weight: 1038g

Engineering Drawing (mm)



Air Performance



Available Functions

Motor protection

RP	SS	AS	CL	OVP
●	●	●	○	○

Signal output

FG	RD	RDB	LD
●	●	○	○

Speed control mode

PWM	TC	VC	CC	CS
●	○	○	○	○

Specifications

Model	Voltage	Voltage Range	Current	Power	Speed	Maximum Air Flow	Maximum Air Pressure	Noise		
No.	VDC	VDC	A	W	RPM	m ³ /min	CFM	mmH ₂ O	INH ₂ O	dB(A)
GD22060L12	12	6.0 to 13.5	2	24						
GD22060L24	24	18 to 26.5	0.8	19.2	2500	14.57	513.66	9.24	0.36	60.2
GD22060L48	48	36 to 54	0.4	19.2						
GD22060M12	12	6.0 to 13.5	3	36						
GD22060M24	24	18 to 26.5	1.5	36	3000	17.49	616.4	11.08	0.44	65.8
GD22060M48	48	36 to 54	0.8	38.4						
GD22060H12	12	6.0 to 13.5	4.5	54						
GD22060H24	24	18 to 26.5	2.5	60	3500	20.4	719.14	12.93	0.51	70.5
GD22060H48	48	36 to 54	1.5	72						