

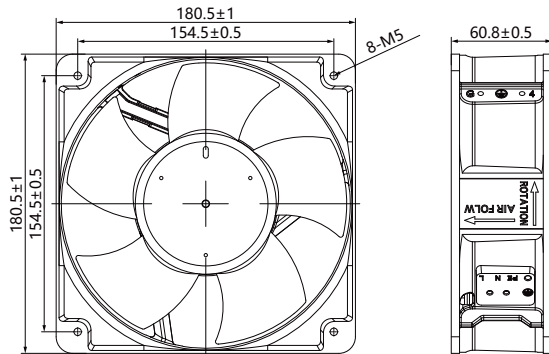
GD18060 Series

180x180x60mm (7"x7"x2.4")

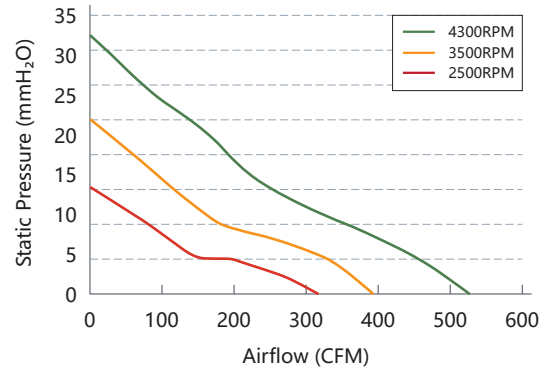


Fan Frame: Aluminum ADC-12, Painted Black
 Fan Impeller: Thermoplastic PBT UL 94V-0
 Bearing system: Ball bearing
 Operation Temp: -30~70°C
 Service Life: 70000hours @40°C
 Weight: 925g

Engineering Drawing (mm)



Air Performance



Available Functions

Motor protection

RP	SS	AS	CL	OVP
●	●	●	○	○

Signal output

FG	RD	RDB	LD
●	●	○	○

Speed control mode

PWM	TC	VC	CC	CS
●	○	○	○	○

Specifications

Model	Voltage	Voltage Range	Current	Power	Speed	Maximum Air Flow	Maximum Air Pressure	Noise		
No.	VDC	VDC	A	W	RPM	m ³ /min	CFM	mmH ₂ O	INH ₂ O	dB(A)
GD18060L12	12	6.0 to 13.5	2.5	30						
GD18060L24	24	18 to 26.5	1.5	36	2500	8.93	315.39	13.18	0.52	55.8
GD18060L48	48	36 to 54	0.8	38.4						
GD18060M12	12	6.0 to 13.5	4	48						
GD18060M24	24	18 to 26.5	2	48	3500	11.1	392.03	21.71	0.86	64.9
GD18060M48	48	36 to 54	1.2	57.6						
GD18060H12	12	6.0 to 13.5	6	72						
GD18060H24	24	18 to 26.5	4	96	4300	14.88	525.26	32.36	1.27	69.3
GD18060H48	48	36 to 54	2	96						