

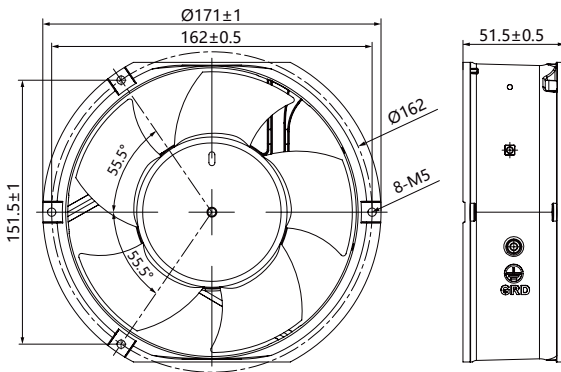
# GD17250 Series

172x150x51mm (6.8"x5.9"x2")

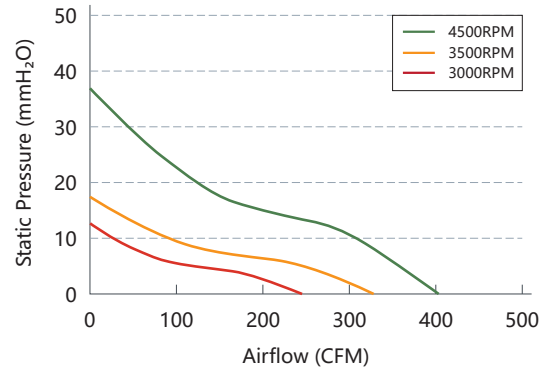


Fan Frame: Aluminum ADC-12, Painted Black  
 Fan Impeller: Thermoplastic PBT UL 94V-0  
 Bearing system: Ball bearing  
 Operation Temp: -30~70°C  
 Service Life: 70000hours @40°C  
 Weight: 655g

## Engineering Drawing (mm)



## Air Performance



## Available Functions

### Motor protection

RP SS AS CL OVP

### Signal output

FG RD RDB LD

### Speed control mode

PWM TC VC CC CS

## Specifications

Model	Voltage	Voltage Range	Current	Power	Speed	Maximum Air Flow	Maximum Air Pressure	Noise		
No.	VDC	VDC	A	W	RPM	m <sup>3</sup> /min	CFM	mmH <sub>2</sub> O	INH <sub>2</sub> O	dB(A)
GD17250L12	12	6.0 to 13.5	1.2	14.4						
GD17250L24	24	18 to 26.5	0.5	12	3000	6.77	238.8	10.68	0.42	54.7
GD17250L48	48	36 to 54	0.3	14.4						
GD17250M12	12	6.0 to 13.5	1.6	19.2						
GD17250M24	24	18 to 26.5	0.8	19.2	3500	9.25	326.2	17.15	0.68	63.2
GD17250M48	48	36 to 54	0.4	19.2						
GD17250H12	12	6.0 to 13.5	3	36						
GD17250H24	24	18 to 26.5	1.3	31.2	4500	11.4	402.3	36.4	1.43	70
GD17250H48	48	36 to 54	0.8	38.4						