

GD12038 XPressure Series

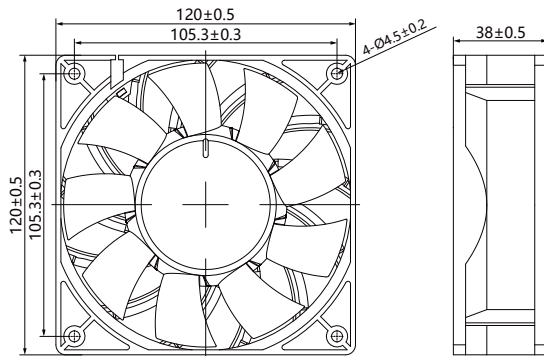
120x120x38mm (4.7"x4.7"x1.5")



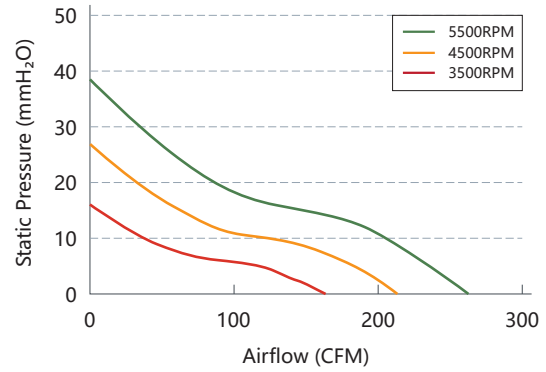
XPressure Series

Fan Frame: Thermoplastic PBT UL 94V-0
 Fan Impeller: Thermoplastic PBT UL 94V-0
 Bearing system: Ball bearing
 Operation Temp: -30~70°C
 Service Life: 70000hours @40°C
 Weight: 301.5g

Engineering Drawing (mm)



Air Performance



Available Functions

Motor protection

RP SS AS CL OVP

Signal output

FG RD RDB LD

Speed control mode

PWM TC VC CC CS

Specifications

Model	Voltage	Voltage Range	Current	Power	Speed	Maximum Air Flow	Maximum Air Pressure	Noise		
No.	VDC	VDC	A	W	RPM	m ³ /min	CFM	mmH ₂ O	INH ₂ O	dB(A)
GD12038L12	12	6.0 to 13.5	1	12						
GD12038L24	24	18 to 26.5	0.5	12	3500	4.72	166.37	15.35	0.60	46.5
GD12038L48	48	36 to 54	0.3	14.4						
GD12038M12	12	6.0 to 13.5	1.8	21.6						
GD12038M24	24	18 to 26.5	1	24	4500	6.13	215.87	26.43	1.04	63.3
GD12038M48	48	36 to 54	0.5	24						
GD12038H12	12	6.0 to 13.5	3	36						
GD12038H24	24	18 to 26.5	1.2	28.8	5500	7.56	266.52	38.23	1.51	67.9
GD12038H48	48	36 to 54	0.8	38.4						