

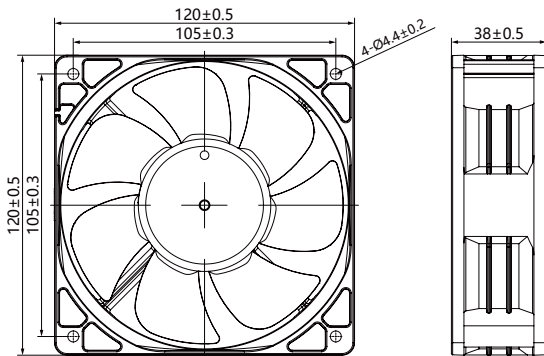
GD12038 Series

120x120x38mm (4.7"x4.7"x1.5")

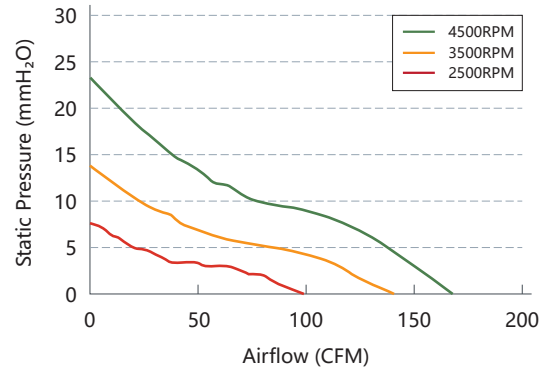


Fan Frame: Thermoplastic PBT UL 94V-0
 Fan Impeller: Thermoplastic PBT UL 94V-0
 Bearing system: Ball bearing and Sleeve bearing available
 Operation Temp: -30~70°C (Ball bearing)
 -10~55°C (Sleeve bearing)
 Service Life: 70000hours @40°C (Ball bearing)
 30000hours @40°C (Sleeve bearing)
 Weight: 301.5g
 Option: Customized IP67/IP68 protection level

Engineering Drawing (mm)



Air Performance



Available Functions

Motor protection

RP	SS	AS	CL	OVP
●	●	●	○	○

Signal output

FG	RD	RDB	LD
●	●	○	○

Speed control mode

PWM	TC	VC	CC	CS
●	○	○	○	○

Specifications

Model	Voltage	Voltage Range	Current	Power	Speed	Maximum Air Flow	Maximum Air Pressure	Noise		
No.	VDC	VDC	A	W	RPM	m ³ /min	CFM	mmH ₂ O	INH ₂ O	dB(A)
GD12038L12	12	6.0 to 13.5	0.35	4.2						
GD12038L24	24	18 to 26.5	0.15	3.6	2500	2.77	97.91	7.62	0.3	41.5
GD12038L48	48	36 to 54	0.08	3.84						
GD12038M12	12	6.0 to 13.5	0.8	9.6						
GD12038M24	24	18 to 26.5	0.3	7.2	3500	3.95	139.4	13.69	0.54	50.6
GD12038M48	48	36 to 54	0.15	7.2						
GD12038H12	12	6.0 to 13.5	1.6	19.2						
GD12038H24	24	18 to 26.5	0.8	19.2	4500	4.73	167.2	23.55	0.93	56.6
GD12038H48	48	36 to 54	0.4	19.2						

DC Axial Fan - GD Series
DC Radial Fan - GRD Series
EC Axial Fan - GE Series