

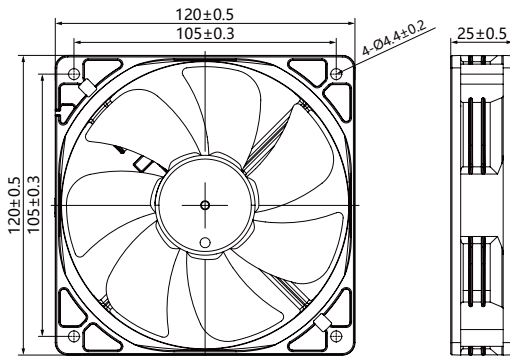
# GD12025 Series

120x120x25mm (4.7"x4.7"x1")

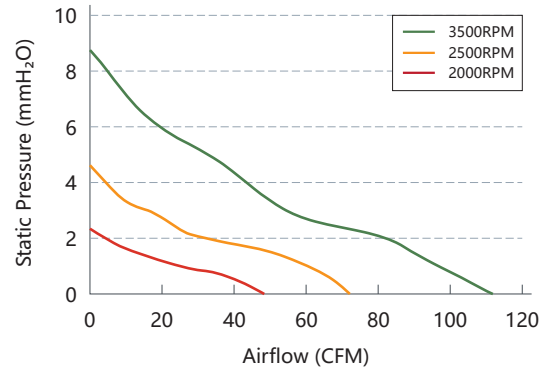


Fan Frame: Thermoplastic PBT UL 94V-0  
 Fan Impeller: Thermoplastic PBT UL 94V-0  
 Bearing system: Ball bearing and Sleeve bearing available  
 Operation Temp: -30~70°C (Ball bearing)  
 -10~55°C (Sleeve bearing)  
 Service Life: 70000hours @40°C (Ball bearing)  
 30000hours @40°C (Sleeve bearing)  
 Weight: 121.3g  
 Option: Customized IP67/IP68 protection level

## Engineering Drawing (mm)



## Air Performance



## Available Functions

### Motor protection

RP	SS	AS	CL	OVP
<input checked="" type="radio"/>	<input checked="" type="radio"/>	<input checked="" type="radio"/>	<input type="radio"/>	<input type="radio"/>

### Signal output

FG	RD	RDB	LD
<input checked="" type="radio"/>	<input checked="" type="radio"/>	<input type="radio"/>	<input type="radio"/>

### Speed control mode

PWM	TC	VC	CC	CS
<input checked="" type="radio"/>	<input type="radio"/>	<input type="radio"/>	<input type="radio"/>	<input type="radio"/>

## Specifications

Model	Voltage	Voltage Range	Current	Power	Speed	Maximum Air Flow	Maximum Air Pressure	Noise		
No.	VDC	VDC	A	W	RPM	m <sup>3</sup> /min	CFM	mmH <sub>2</sub> O	IN <sub>H</sub> 2O	dB(A)
GD12025L12	12	6.0 to 13.5	0.15	1.8						
GD12025L24	24	18 to 26.5	0.08	1.92	2000	1.39	49.21	2.32	0.09	28.6
GD12025L48	48	36 to 54	0.04	1.92						
GD12025M12	12	6.0 to 13.5	0.3	3.6						
GD12025M24	24	18 to 26.5	0.15	3.6	2500	2.08	73.45	4.65	0.18	36.8
GD12025M48	48	36 to 54	0.08	3.84						
GD12025H12	12	6.0 to 13.5	0.45	5.4						
GD12025H24	24	18 to 26.5	0.25	6	3500	3.22	113.9	8.9	0.35	49.5
GD12025H48	48	36 to 54	0.12	5.76						