

# GW92B

92x92x38mm (3.6"x3.6"x1.5")



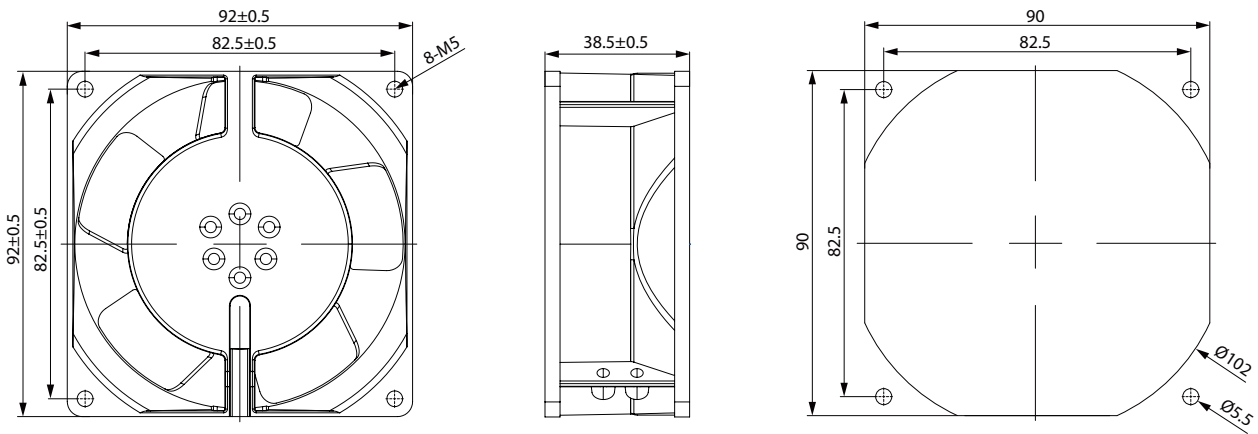
Full Metal

Fan Frame:	Die-cast Aluminum(Black or Silver coating)
Fan Impeller:	Metal
Operation Temp.:	-30~80°C
Operation Voltage Range:	110V(±10%); 220V(±10%)
Dielectric Strength:	5mA Max.at 1500V for 1 min
Safety:	Impedance Protected
Termination:	Lead Wire; Pin
Weight:	480g
Protection Class:	IP44
Insulation:	Class A
Option:	Customized high temperature 150°C; IP55/IP67

## Specifications

Model	Bearing	Blades	Voltage	Freq.	Current	Power	Speed	Noise	Max. Air Flow	Pressure	
No.			VAC	Hz	A	W	RPM	dB(A)	m³/h	CFM	mmH₂O
GW92B1	Ball	5	100/125	50/60	0.18/0.16	17/14	2600/3000	38/40	78.2/91.8	46/54	6.8/5.8
GW92B2	Ball	5	200/240	50/60	0.09/0.08	17/14	2600/3000	38/40	78.2/91.8	46/54	6.8/5.8

## Engineering Drawing (mm)



## Air Performance

