

# GW80B

80x80x38mm (3.1"x3.1"x1.5")



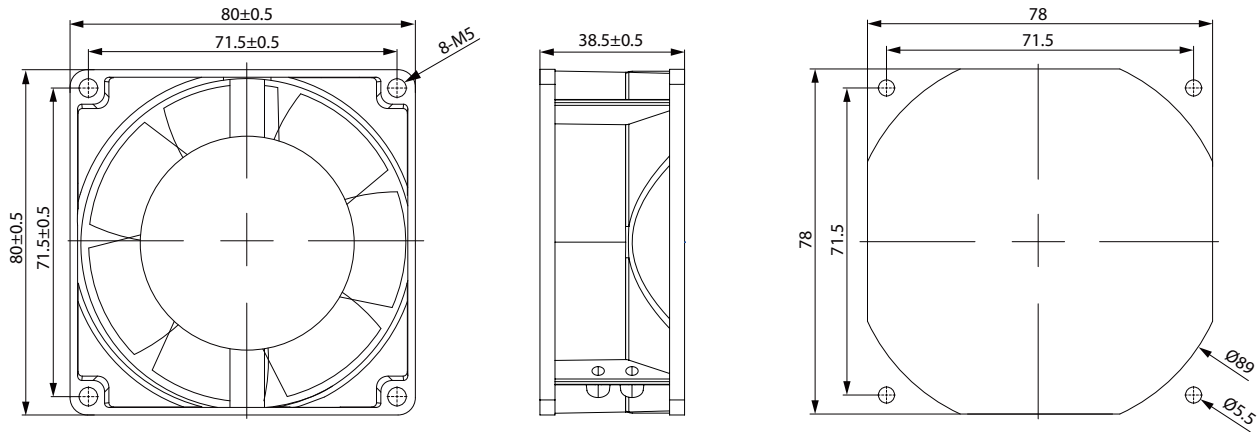
Full Metal

Fan Frame: Die-cast Aluminum(Black or Silver coating)  
 Fan Impeller: Metal  
 Operation Temp.: -30~80°C  
 Operation Voltage Range: 110V(±10%); 220V(±10%)  
 Dielectric Strength: 5mA Max.at 1500V for 1 min  
 Safety: Impedance Protected  
 Termination: Lead Wire; Pin  
 Weight: 400g  
 Protection Class: IP44  
 Insulation: Class A  
 Option: Customized high temperature 150°C; IP55/IP67

## Specifications

Model	Bearing	Blades	Voltage	Freq.	Current	Power	Speed	Noise	Max. Air Flow	Pressure	
No.			VAC	Hz	A	W	RPM	dB(A)	m³/h	CFM	mmH <sub>2</sub> O
GW80B1	Ball	7	100/125	50/60	0.18/0.16	17/14	2700/3100	30/36	47.6/56.1	28/33	4.8/4.4
GW80B2	Ball	7	200/240	50/60	0.09/0.08	17/14	2700/3100	30/36	47.6/56.1	28/33	4.8/4.4

## Engineering Drawing (mm)



## Air Performance

