

GW280K

280x280x90mm (11"x11"x3.5")



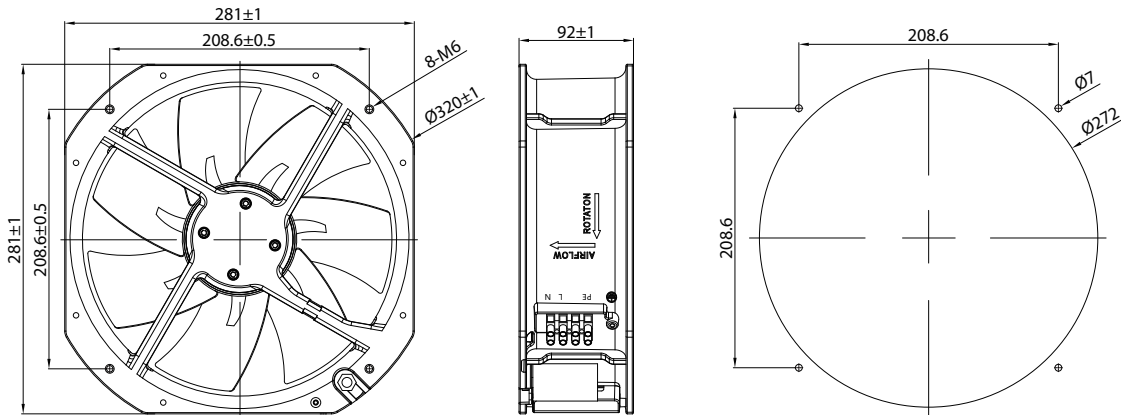
Full Metal

Fan Frame:	Die-cast Aluminum(Black or Silver coating)
Fan Impeller:	Metal
Operation Temp.:	-30~80°C
Operation Voltage Range:	110V(±10%); 220V(±10%)
Dielectric Strength:	5mA Max.at 1500V for 1 min
Safety:	Impedance Protected
Termination:	Lead Wire; Pin
Weight:	3000g
Protection Class:	IP44
Insulation:	Class A
Option:	Customized high temperature 150°C; IP55/IP67

Specifications

Model	Bearing	Blades	Voltage	Freq.	Current	Power	Speed	Noise	Max. Air Flow	Pressure	Capacitor	
No.			VAC	Hz	A	W	RPM	dB(A)	m³/h	CFM	mmH₂O	uf
GW280K1	Ball	7	100/125	50/60	1.1/1.2	110/150	2700/3000	70/72	1870/1955	1100/1150	27.8/22.6	10uf/250v
GW280K2	Ball	7	200/240	50/60	0.6/0.7	110/150	2700/3000	70/72	1870/1955	1100/1150	27.8/22.6	4uf/450v
GW280K3	Ball	7	360/400	50/60	0.35/0.37	110/150	2700/3000	70/72	1870/1955	1100/1150	27.8/22.6	1uf/630v

Engineering Drawing (mm)



Air Performance

