

GW280H

280x280x80mm (11"x11"x3.1")



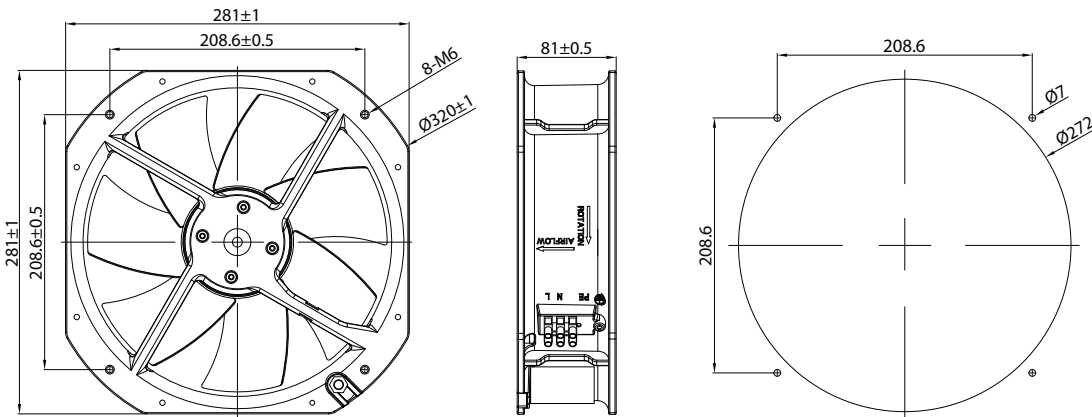
Full Metal

Fan Frame: Die-cast Aluminum(Black or Silver coating)
 Fan Impeller: Metal
 Operation Temp.: -30~80°C
 Operation Voltage Range: 110V(±10%); 220V(±10%)
 Dielectric Strength: 5mA Max.at 1500V for 1 min
 Safety: Impedance Protected
 Termination: Lead Wire; Pin
 Weight: 2800g
 Protection Class: IP44
 Insulation: Class A
 Option: Customized high temperature 150°C; IP55/IP67

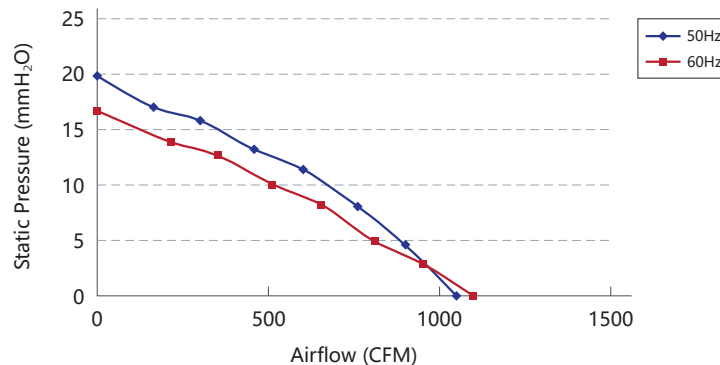
Specifications

Model	Bearing	Blades	Voltage	Freq.	Current	Power	Speed	Noise	Max. Air Flow	Pressure	Capacitor	
No.			VAC	Hz	A	W	RPM	dB(A)	m ³ /h	CFM	mmH ₂ O	uf
GW280H1	Ball	7	100/125	50/60	1/1.1	110/150	2550/2700	69/71	1785/1870	1050/1100	19.8/16.8	10uf/250v
GW280H2	Ball	7	200/240	50/60	0.55/0.65	110/150	2550/2700	69/71	1785/1870	1050/1100	19.8/16.8	4uf/450v
GW280H3	Ball	7	360/400	50/60	0.3/0.35	110/150	2550/2700	69/71	1785/1870	1050/1100	19.8/16.8	1uf/630v

Engineering Drawing (mm)



Air Performance



AC Axial Fan - GW Series
AC Axial Fan - GN Series
AC Radial Fan - GRA Series