

GW250K

Ø254x89mm (10"x3.5")



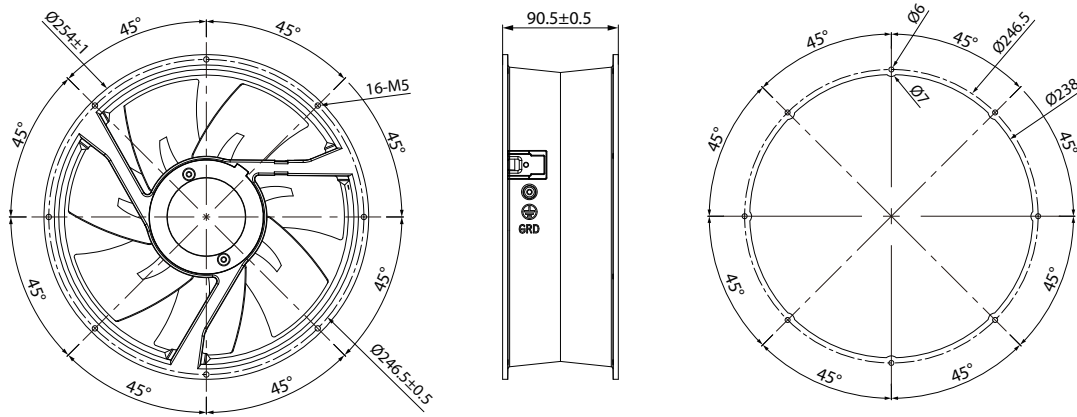
Full Metal

Fan Frame: Die-cast Aluminum(Black or Silver coating)
 Fan Impeller: Metal
 Operation Temp.: -30~80°C
 Operation Voltage Range: 110V(±10%); 220V(±10%)
 Dielectric Strength: 5mA Max.at 1500V for 1 min
 Safety: Impedance Protected
 Termination: Lead Wire; Pin
 Weight: 2800g
 Protection Class: IP44
 Insulation: Class A
 Option: Customized high temperature 150°C; IP55/IP67

Specifications

Model	Bearing	Blades	Voltage	Freq.	Current	Power	Speed	Noise	Max. Air Flow	Pressure	Capacitor	
No.			VAC	Hz	A	W	RPM	dB(A)	m³/h	CFM	mmH ₂ O	uf
GW250K1	Ball	7	100/125	50/60	0.9/1	100/130	2600/2800	65/68	1394/1530	820/900	18/16	6.0uf/450v
GW250K2	Ball	7	200/240	50/60	0.5/0.65	100/130	2600/2800	65/68	1394/1530	820/900	18/16	3.0uf/400v
GW250K3	Ball	7	360/400	50/60	0.25/0.27	100/130	2600/2800	65/68	1394/1530	820/900	18/16	1uf/630v

Engineering Drawing (mm)



Air Performance

