

GW225H

225x225x80mm (8.9"x8.9"x3.1")



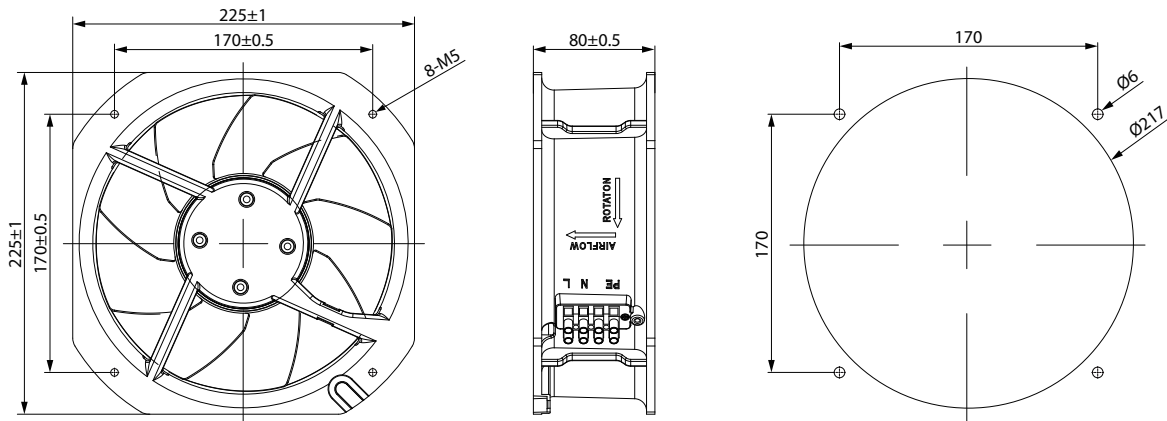
Full Metal

Fan Frame:	Die-cast Aluminum(Black or Silver coating)
Fan Impeller:	Metal
Operation Temp.:	-30~80°C
Operation Voltage Range:	110V(±10%); 220V(±10%)
Dielectric Strength:	5mA Max.at 1500V for 1 min
Safety:	Impedance Protected
Termination:	Lead Wire; Pin
Weight:	2200g
Protection Class:	IP44
Insulation:	Class A
Option:	Customized high temperature 150°C; IP55/IP67

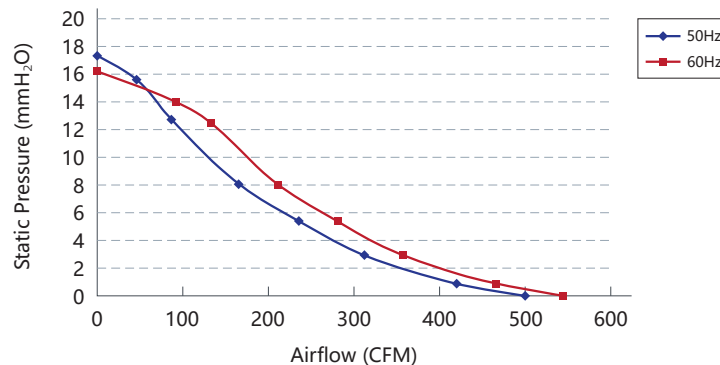
Specifications

Model	Bearing	Blades	Voltage	Freq.	Current	Power	Speed	Noise	Max. Air Flow	Pressure	Capacitor	
No.			VAC	Hz	A	W	RPM	dB(A)	m³/h	CFM	mmH₂O	uf
GW225H1	Ball	9	100/125	50/60	0.55/0.65	55/65	2600/2800	59/61	850/926.5	500/545	17.3/16.2	4uf/250v
GW225H2	Ball	9	200/240	50/60	0.3/0.35	55/65	2600/2800	59/61	850/926.5	500/545	17.3/16.2	2.2uf/450v
GW225H3	Ball	9	360/400	50/60	0.22/0.2	55/65	2600/2800	59/61	850/926.5	500/545	17.3/16.2	0.7uf/630v

Engineering Drawing (mm)



Air Performance



AC Axial Fan - GW Series
AC Axial Fan - GN Series
AC Radial Fan - GRA Series