

GW205Z

206x206x72mm (8.1"x8.1"x2.8")



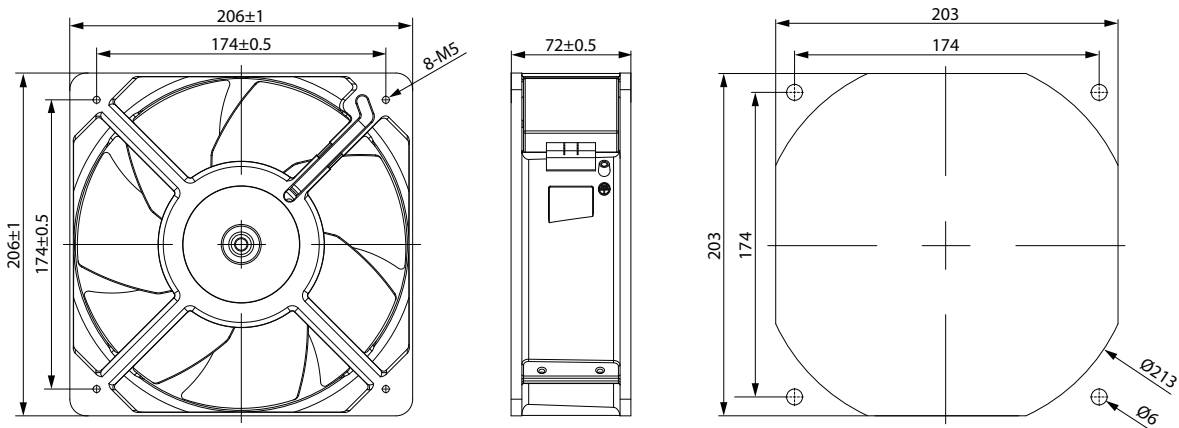
Full Metal

Fan Frame: Die-cast Aluminum(Black or Silver coating)
 Fan Impeller: Metal
 Operation Temp.: -30~80°C
 Operation Voltage Range: 110V(±10%); 220V(±10%)
 Dielectric Strength: 5mA Max.at 1500V for 1 min
 Safety: Impedance Protected
 Termination: Lead Wire; Pin
 Weight: 2200g
 Protection Class: IP44
 Insulation: Class A
 Option: Customized high temperature 150°C; IP55/IP67

Specifications

| Model | Bearing | Blades | Voltage | Freq. | Current | Power | Speed | Noise | Max. Air Flow | Pressure | Capacitor | |
|---------|---------|--------|---------|-------|-----------|-------|-----------|-------|---------------|----------|--------------------|------------|
| No. | | | VAC | Hz | A | W | RPM | dB(A) | m³/h | CFM | mmH ₂ O | uf |
| GW205Z1 | Ball | 7 | 100/125 | 50/60 | 0.55/0.65 | 55/65 | 2600/2800 | 59/61 | 850/926.5 | 500/545 | 17.3/16.2 | 4uf/250v |
| GW205Z2 | Ball | 7 | 200/240 | 50/60 | 0.3/0.35 | 55/65 | 2600/2800 | 59/61 | 850/926.5 | 500/545 | 17.3/16.2 | 2.2uf/450v |
| GW205Z3 | Ball | 7 | 360/400 | 50/60 | 0.22/0.2 | 55/65 | 2600/2800 | 59/61 | 850/926.5 | 500/545 | 17.3/16.2 | 0.7uf/630v |

Engineering Drawing (mm)



Air Performance

