

# GW120B

120x120x38mm (4.7"x4.7"x1.5")



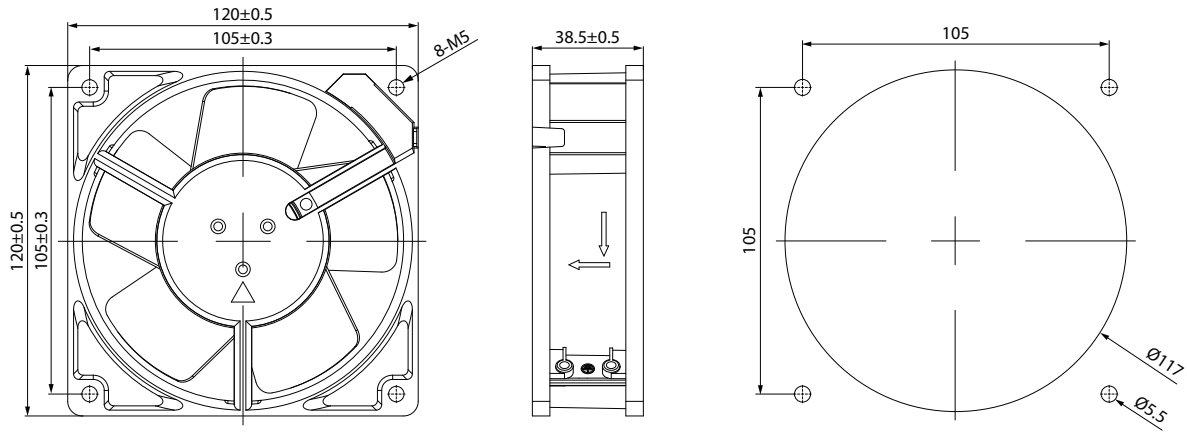
Full Metal

Fan Frame: Die-cast Aluminum(Black or Silver coating)  
 Fan Impeller: Metal  
 Operation Temp.: -30~80°C  
 Operation Voltage Range: 110V(±10%); 220V(±10%)  
 Dielectric Strength: 5mA Max.at 1500V for 1 min  
 Safety: Impedance Protected  
 Termination: Lead Wire; Pin  
 Weight: 600g  
 Protection Class: IP44  
 Insulation: Class A  
 Option: Customized high temperature 150°C; IP55/IP67

## Specifications

Model	Bearing	Blades	Voltage	Freq.	Current	Power	Speed	Noise	Max. Air Flow	Pressure	
No.			VAC	Hz	A	W	RPM	dB(A)	m³/h	CFM	mmH <sub>2</sub> O
GW120B1	Ball	5	100/125	50/60	0.22/0.2	20/18	2600/3000	46/50	180.2/204	106/120	7.1/6.4
GW120B2	Ball	5	200/240	50/60	0.12/0.11	20/18	2600/3000	46/50	180.2/204	106/120	7.1/6.4
GW120B3	Ball	5	360/400	50/60	0.06/0.05	20/18	2600/3000	46/50	180.2/204	106/120	7.1/6.4

## Engineering Drawing (mm)



## Air Performance

