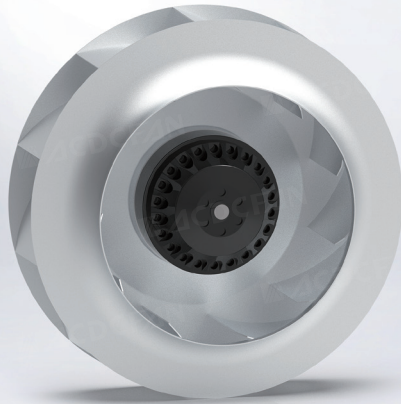


GRA250A

Ø250x86mm (9.8"x3.4")

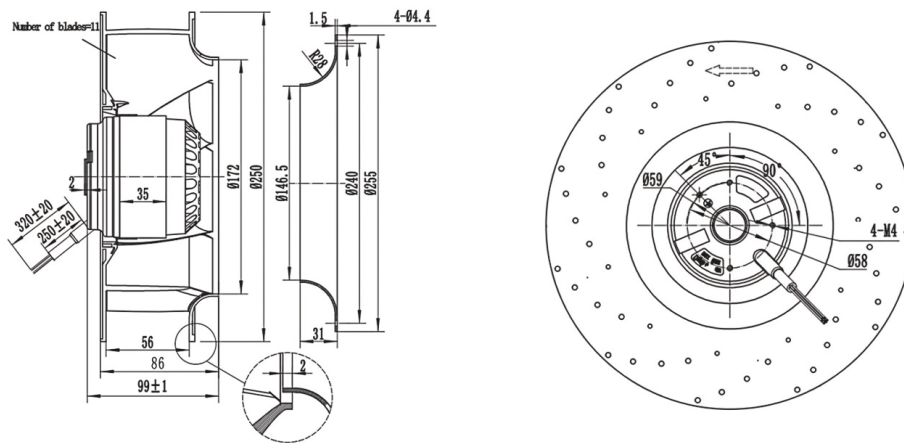


Fan Frame:	PA66 Nylon or Metal
Fan Impeller:	Metal or Plastic
Bearing system:	Ball bearing
Operation Temp.:	-30~60°C
Operation Voltage Range:	110V(±10%); 220V(±10%)
Dielectric Strength:	5mA Max.at 1500V for 1 min
Safety:	Impedance Protected
Termination:	Lead Wire; Pin
Weight:	2700g
Protection Class:	IP44
Insulation:	Class A

Specifications

Model	Voltage	Freq.	Current	Power	Speed	Noise	Capacitor	Max. Air Flow	Static Pressure	Curve No.		
No.	VAC	Hz	A	W	RPM	dB(A)	uf	m³/h	CFM	Pa	mmH ₂ O	
GRA250A1	100/125	50/60	1.3/1.8	120/210	2400/2500	75/78	20uf/450v	1450/1490	854/878	580/740	59.1/75.5	②
GRA250A2	200/240	50/60	0.6/0.85	120/210	2400/2500	75/78	4uf/630v	1450/1490	854/878	580/740	59.1/75.5	②

Engineering Drawing (mm)



Air Performance

