

GRA225B

Ø225x89mm (8.9"x3.5")

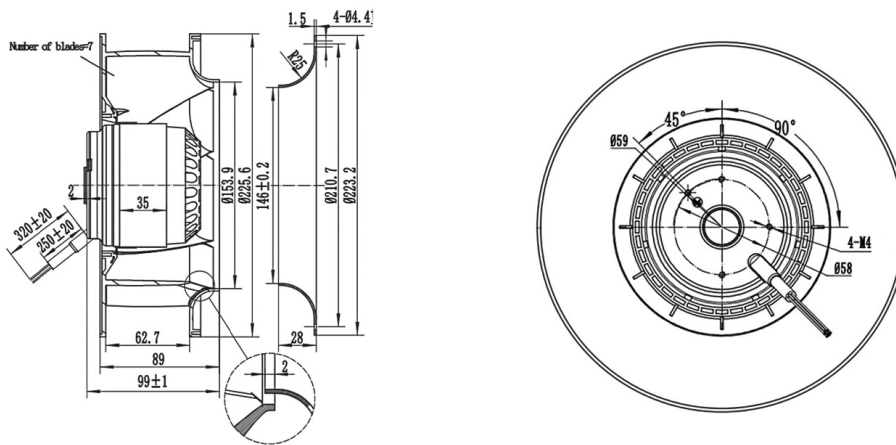


Fan Frame:	PA66 Nylon or Metal
Fan Impeller:	Plastic or Metal
Bearing system:	Ball bearing
Operation Temp.:	-30~60°C
Operation Voltage Range:	110V(±10%); 220V(±10%)
Dielectric Strength:	5mA Max.at 1500V for 1 min
Safety:	Impedance Protected
Termination:	Lead Wire; Pin
Weight:	2350g
Protection Class:	IP44
Insulation:	Class A

Specifications

Model	Voltage	Freq.	Current	Power	Speed	Noise	Capacitor	Max. Air Flow	Static Pressure	Curve No.		
No.	VAC	Hz	A	W	RPM	dB(A)	uf	m³/h	CFM	Pa	mmH ₂ O	
GRA225B1	115	50/60	1.3/1.7	120/180	2500/2700	69/71	20uf/450v	1200/1340	706/789	550/700	56.1/71.4	②
GRA225B2	230	50/60	0.55/0.8	120/180	2500/2700	69/71	4uf/630v	1200/1340	706/789	550/700	56.1/71.4	②

Engineering Drawing (mm)



Air Performance

