

# GRA220A

Ø220x64mm (8.7"x2.5")

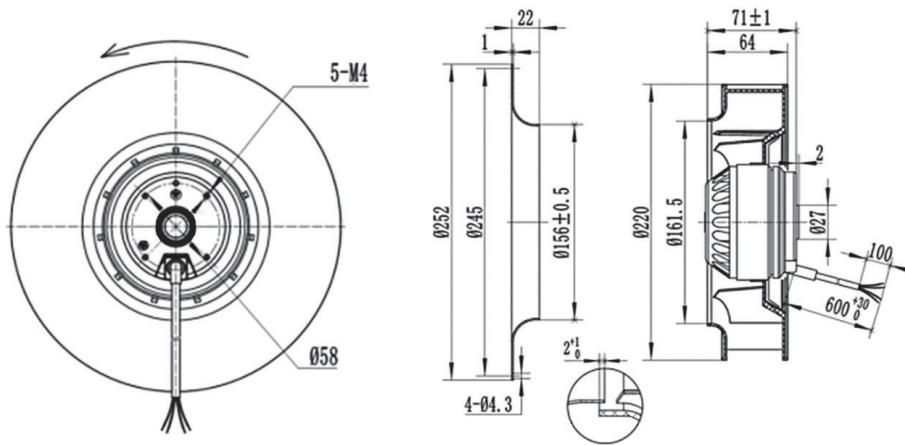


Fan Frame:	PA66 Nylon or Metal
Fan Impeller:	Plastic or Metal
Bearing system:	Ball bearing
Operation Temp.:	-30~60°C
Operation Voltage Range:	110V(±10%); 220V(±10%)
Dielectric Strength:	5mA Max.at 1500V for 1 min
Safety:	Impedance Protected
Termination:	Lead Wire; Pin
Weight:	1700g
Protection Class:	IP44
Insulation:	Class A

## Specifications

Model	Voltage	Freq.	Current	Power	Speed	Noise	Capacitor	Max. Air Flow	Static Pressure	Curve No.		
No.	VAC	Hz	A	W	RPM	dB(A)	uf	m³/h	CFM	Pa	mmH <sub>2</sub> O	
GRA220A1	100/125	50/60	0.90/1.17	115/134	2600/2950	73/74	8.0uf/250v	885/990	512/583	420/560	42.8/57.1	①
GRA220A2	200/240	50/60	0.45/0.46	90/98	2600/2950	73/74	8.0uf/250v	885/990	512/583	420/560	42.8/57.1	①

## Engineering Drawing (mm)



## Air Performance

