

GRA190A

Ø190x61mm (7.5"x2.4")

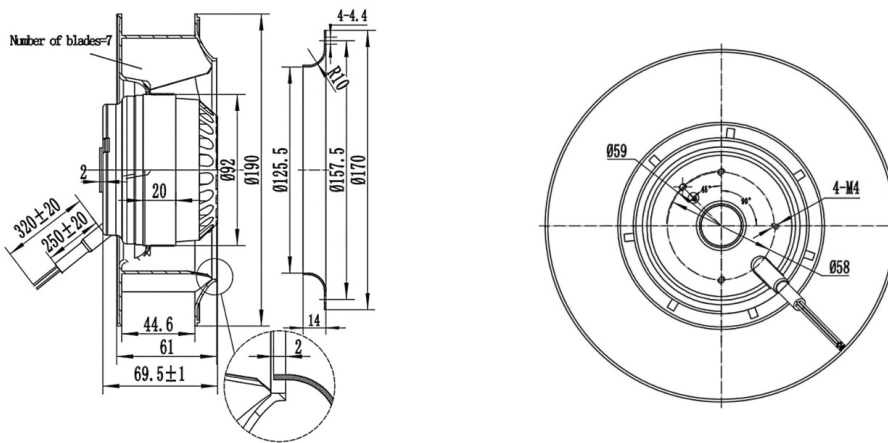


Fan Frame:	PA66 Nylon or Metal
Fan Impeller:	Plastic or Metal
Bearing system:	Ball bearing
Operation Temp.:	-30~60°C
Operation Voltage Range:	110V(±10%); 220V(±10%)
Dielectric Strength:	5mA Max.at 1500V for 1 min
Safety:	Impedance Protected
Termination:	Lead Wire; Pin
Weight:	1200g
Protection Class:	IP44
Insulation:	Class A

Specifications

Model	Voltage	Freq.	Current	Power	Speed	Noise	Capacitor	Max. Air Flow	Static Pressure	Curve No.		
No.	VAC	Hz	A	W	RPM	dB(A)	uf	m³/h	CFM	Pa	mmH ₂ O	
GRA190A1	100/125	50/60	0.65/0.75	70/90	2600/2950	62/64	8.0uf/250v	570/620	336/365	330/430	33.6/43.8	①
GRA190A2	200/240	50/60	0.30/0.45	70/90	2600/2950	62/64	2.2uf/630v	570/620	336/365	330/430	33.6/43.8	①

Engineering Drawing (mm)



Air Performance

