

# GRA175A

Ø175x65mm (6.9"x2.6")

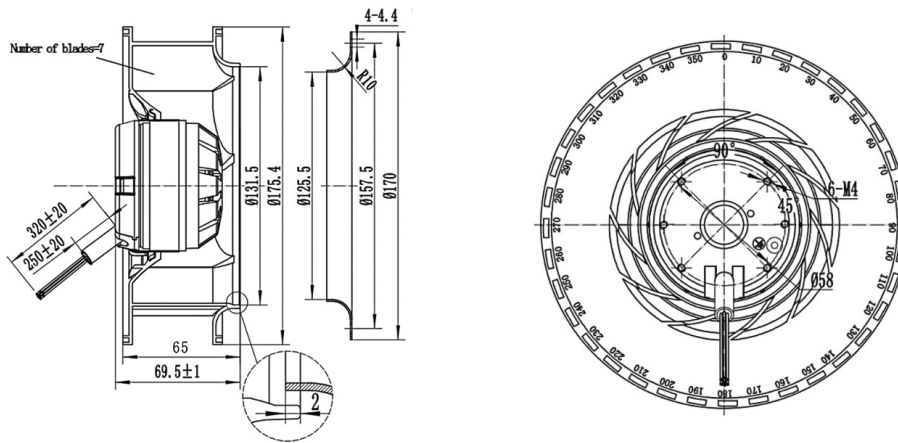


Fan Frame:	PA66 Nylon or Metal
Fan Impeller:	Plastic or Metal
Bearing system:	Ball bearing
Operation Temp.:	-30~60°C
Operation Voltage Range:	110V(±10%); 220V(±10%)
Dielectric Strength:	5mA Max.at 1500V for 1 min
Safety:	Impedance Protected
Termination:	Lead Wire; Pin
Weight:	1000g
Protection Class:	IP44
Insulation:	Class A

## Specifications

Model	Voltage	Freq.	Current	Power	Speed	Noise	Capacitor	Max. Air Flow	Static Pressure	Curve No.		
No.	VAC	Hz	A	W	RPM	dB(A)	uf	m³/h	CFM	Pa	mmH <sub>2</sub> O	
GRA175A1	100/125	60	0.56	51	3100	68	3.3uf/630v	570	335	350	35.7	①
GRA175A2	200/240	50/60	0.28/0.25	51/56	2750/3100	63/68	1.5uf/630v	490/570	288/335	250/350	25.5/35.7	①

## Engineering Drawing (mm)



## Air Performance

