

GN92B

92x92x38mm (3.6"x3.6"x1.5")

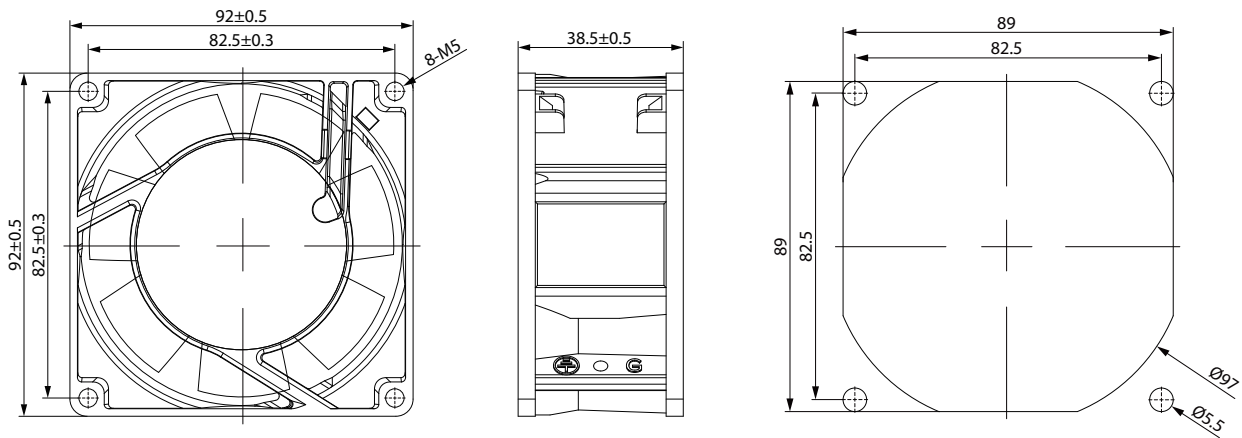


Fan Frame: Die-cast Aluminum(Black or Silver coating)
 Fan Impeller: Plastic
 Operation Temp.: -30~60°C
 Operation Voltage Range: 110V(±10%); 220V(±10%)
 Dielectric Strength: 5mA Max.at 1500V for 1 min
 Safety: Impedance Protected
 Termination: Lead Wire; Pin
 Weight: 290g
 Protection Class: IP44
 Insulation: Class A
 Option: Customized Dual Voltage 110V/220V

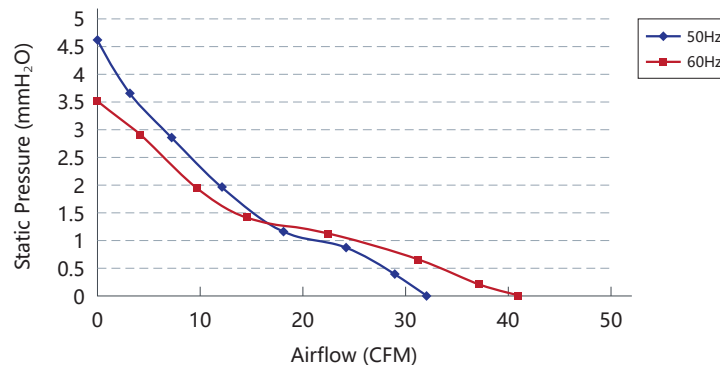
Specifications

Model	Bearing	Blades	Voltage	Freq.	Current	Power	Speed	Noise	Max. Air Flow	Pressure	
No.			VAC	Hz	A	W	RPM	dB(A)	m³/h	CFM	mmH ₂ O
GN92B1	Ball	7	100/125	50/60	0.16/0.14	13/12	2300/2500	31/35	54.4/69.7	32/41	4.6/3.5
GN92B2	Ball	7	200/240	50/60	0.09/0.08	13/12	2300/2500	31/35	54.4/69.7	32/41	4.6/3.5
GN92B3	Ball	7	360/400	50/60	0.05/0.04	13/12	2300/2500	31/35	54.4/69.7	32/41	4.6/3.5

Engineering Drawing (mm)



Air Performance



AC Axial Fan - GW Series
AC Axial Fan - GN Series
AC Radial Fan - GRA Series