

# GN80B

80x80x38mm (3.1"x3.1"x1.5")

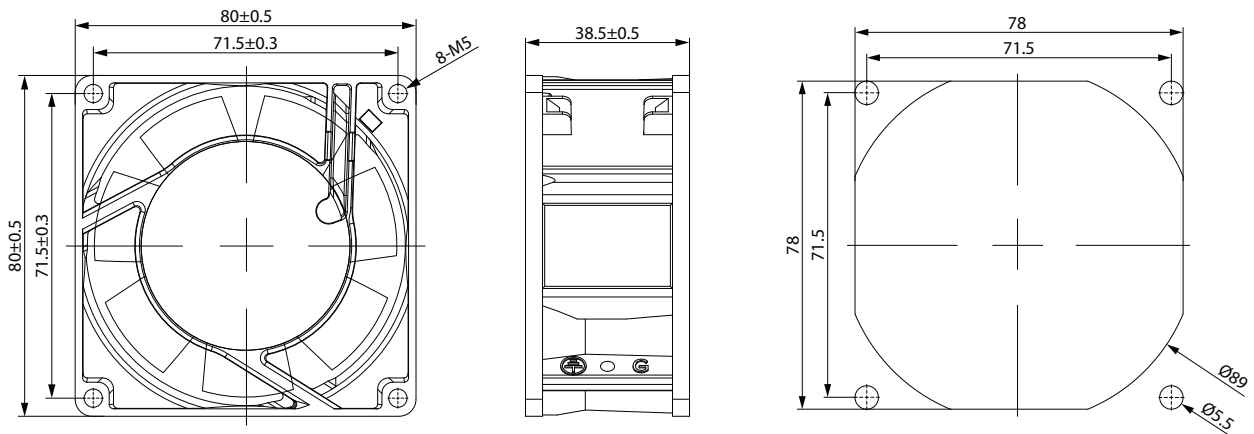


Fan Frame:	Die-cast Aluminum(Black or Silver coating)
Fan Impeller:	Plastic
Operation Temp.:	-30~60°C
Operation Voltage Range:	110V(±10%); 220V(±10%)
Dielectric Strength:	5mA Max.at 1500V for 1 min
Safety:	Impedance Protected
Termination:	Lead Wire; Pin
Weight:	275g
Protection Class:	IP44
Insulation:	Class A
Option:	Customized Dual Voltage 110V/220V

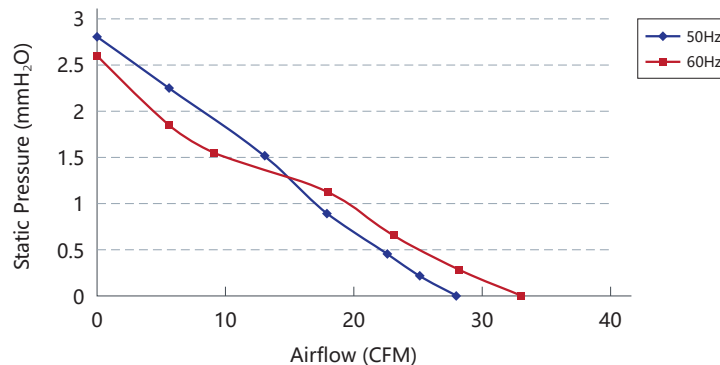
## Specifications

Model	Bearing	Blades	Voltage	Freq.	Current	Power	Speed	Noise	Max. Air Flow	Pressure	
No.			VAC	Hz	A	W	RPM	dB(A)	m³/h	CFM	mmH <sub>2</sub> O
GN80B1	Ball	7	100/125	50/60	0.16/0.14	13/12	2300/2500	28/32	47.6/56.1	28/33	2.8/2.6
GN80B2	Ball	7	200/240	50/60	0.09/0.08	13/12	2300/2500	28/32	47.6/56.1	28/33	2.8/2.6
GN80B3	Ball	7	360/400	50/60	0.05/0.04	13/12	2300/2500	28/32	47.6/56.1	28/33	2.8/2.6

## Engineering Drawing (mm)



## Air Performance



AC Axial Fan - GW Series  
AC Axial Fan - GN Series  
AC Radial Fan - GRA Series