

# GN250K

Ø254x89mm (10"x3.5")



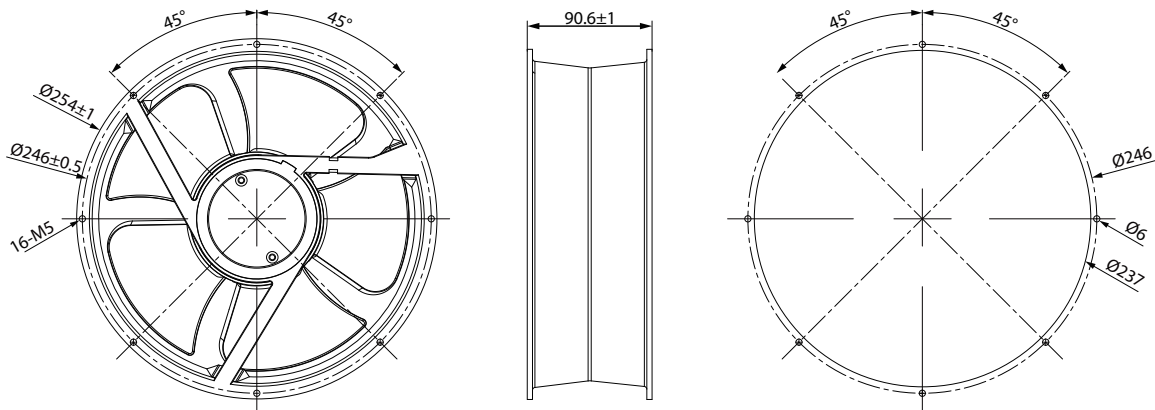
Capacitor Motor

Fan Frame: Die-cast Aluminum(Black or Silver coating)  
 Fan Impeller: Plastic  
 Operation Temp.: -30~60°C  
 Operation Voltage Range: 110V(±10%); 220V(±10%)  
 Dielectric Strength: 5mA Max.at 1500V for 1 min  
 Safety: Impedance Protected  
 Termination: Lead Wire; Pin  
 Weight: 2200g  
 Protection Class: IP44  
 Insulation: Class A

## Specifications

Model	Bearing	Blades	Voltage	Freq.	Current	Power	Speed	Noise	Max. Air Flow	Pressure	Capacitor	
No.			VAC	Hz	A	W	RPM	dB(A)	m³/h	CFM	mmH <sub>2</sub> O	uf
GN250K1	Ball	5	100/125	50/60	0.85	75.5/88.7	2275/2468	68/70	836.4/736.1	492/433	13.9/12.2	4uf/250V
GN250K2	Ball	5	200/240	50/60	0.4	75.5/88.7	2275/2468	68/70	836.4/736.1	492/433	13.9/12.2	1.5uf/450V
GN250K3	Ball	5	360/400	50/60	0.2	75.5/88.7	2275/2468	68/70	836.4/736.1	492/433	13.9/12.2	0.7uf/630V

## Engineering Drawing (mm)



## Air Performance

