

NEW



Alu. impeller

GN170D Metal

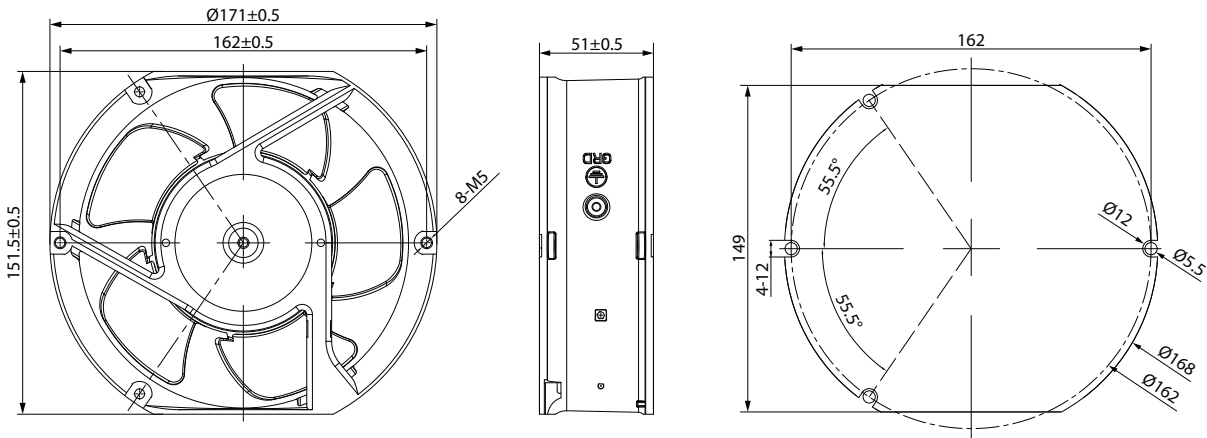
172x150x51mm (6.8"x5.9"x2")

Fan Frame:	Die-cast Aluminum(Black or Silver coating)
Fan Impeller:	Metal
Operation Temp.:	-30~60°C
Operation Voltage Range:	110V(±10%); 220V(±10%)
Dielectric Strength:	5mA Max.at 1500V for 1 min
Safety:	Impedance Protected
Termination:	Lead Wire; Pin
Weight:	860g
Protection Class:	IP44
Insulation:	Class A
Option:	Customized Dual Voltage 110V/220V

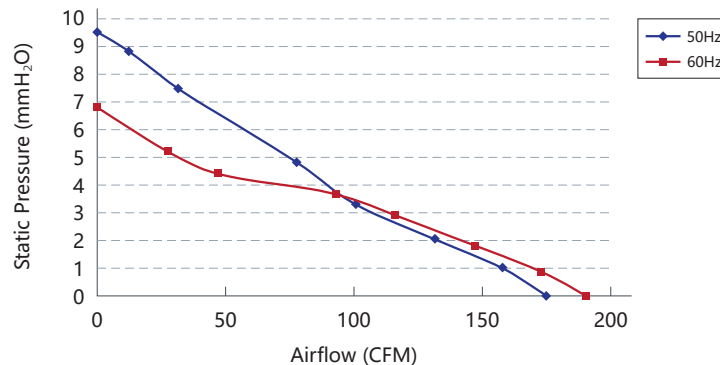
Specifications

Model	Bearing	Blades	Voltage	Freq.	Current	Power	Speed	Noise	Max. Air Flow	Pressure	
No.			VAC	Hz	A	W	RPM	dB(A)	m³/h	CFM	mmH ₂ O
GN170D1	Ball	5	100/125	50/60	0.45/0.42	32/30	2600/3000	53/55	297/323	175/190	9.5/6.8
GN170D2	Ball	5	200/240	50/60	0.24/0.22	32/30	2600/3000	53/55	297/323	175/190	9.5/6.8
GN170D3	Ball	5	360/400	50/60	0.15/0.14	32/30	2600/3000	53/55	297/323	175/190	9.5/6.8

Engineering Drawing (mm)



Air Performance



AC Axial Fan - GW Series
AC Axial Fan - GN Series
AC Radial Fan - GRA Series