

GN170B

172x151x39mm (6.8"x5.9"x1.5")

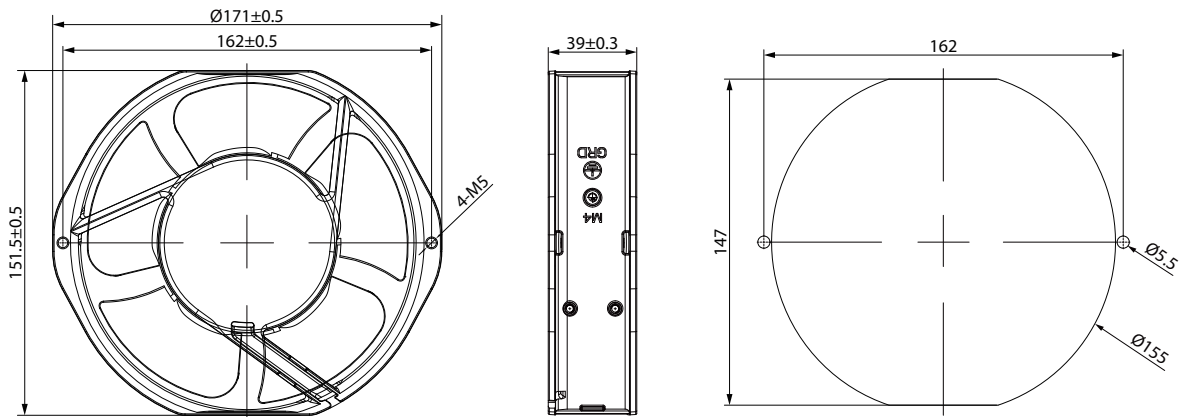


Fan Frame:	Die-cast Aluminum(Black or Silver coating)
Fan Impeller:	Plastic
Operation Temp.:	-30~60°C
Operation Voltage Range:	110V(±10%); 220V(±10%)
Dielectric Strength:	5mA Max.at 1500V for 1 min
Safety:	Impedance Protected
Termination:	Lead Wire; Pin
Weight:	680g
Protection Class:	IP44
Insulation:	Class A

Specifications

Model	Bearing	Blades	Voltage	Freq.	Current	Power	Speed	Noise	Max. Air Flow	Pressure	
No.			VAC	Hz	A	W	RPM	dB(A)	m³/h	CFM	mmH ₂ O
GN170B1	Ball	5	100/125	50/60	0.4/0.38	25/24	2400/2700	51/54	212.5/246.5	125/145	9.2/8.1
GN170B2	Ball	5	200/240	50/60	0.2/0.18	25/24	2400/2700	51/54	212.5/246.5	125/145	9.2/8.1
GN170B3	Ball	5	360/400	50/60	0.1/0.09	25/24	2400/2700	51/54	212.5/246.5	125/145	9.2/8.1

Engineering Drawing (mm)



Air Performance

