

NEW



Alu. impeller

GN120B Metal

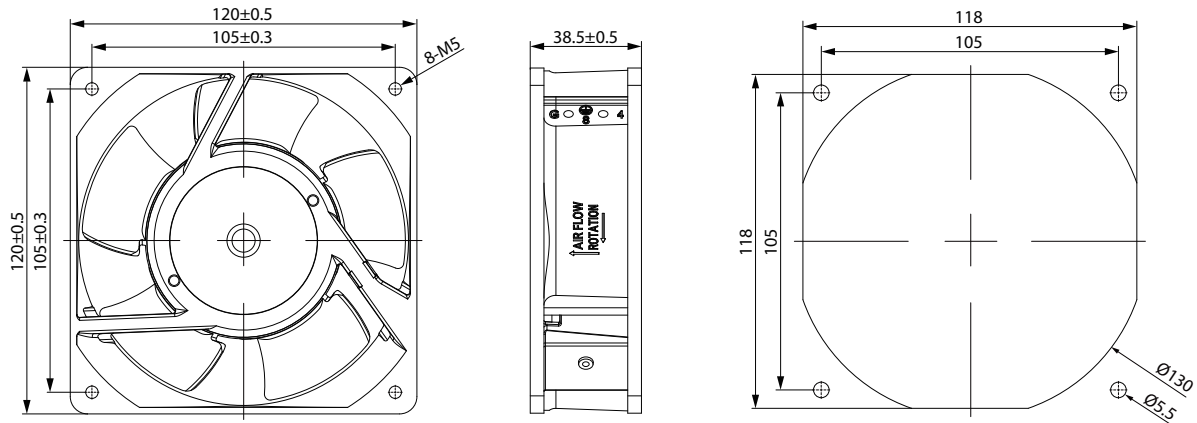
120x120x38mm (4.7"x4.7"x1.5")

Fan Frame:	Die-cast Aluminum(Black or Silver coating)
Fan Impeller:	Metal
Operation Temp.:	-30~60°C
Operation Voltage Range:	110V(±10%); 220V(±10%)
Dielectric Strength:	5mA Max.at 1500V for 1 min
Safety:	Impedance Protected
Termination:	Lead Wire; Pin
Weight:	500g
Protection Class:	IP44
Insulation:	Class F
Option:	Customized Dual Voltage 110V/220V

Specifications

Model	Bearing	Blades	Voltage	Freq.	Current	Power	Speed	Noise	Max. Air Flow	Pressure	
No.			VAC	Hz	A	W	RPM	dB(A)	m³/h	CFM	mmH ₂ O
GN120B1	Ball	5	100/125	50/60	0.24/0.22	19/18	2600/3000	43/45	142.8/161.5	84/95	7.4/6.6
GN120B2	Ball	5	200/240	50/60	0.12/0.11	19/18	2600/3000	43/45	142.8/161.5	84/95	7.4/6.6
GN120B3	Ball	5	360/400	50/60	0.09/0.08	19/18	2600/3000	43/45	142.8/161.5	84/95	7.4/6.6

Engineering Drawing (mm)



Air Performance

