

GN120B-7

120x120x38mm (4.7"x4.7"x1.5")

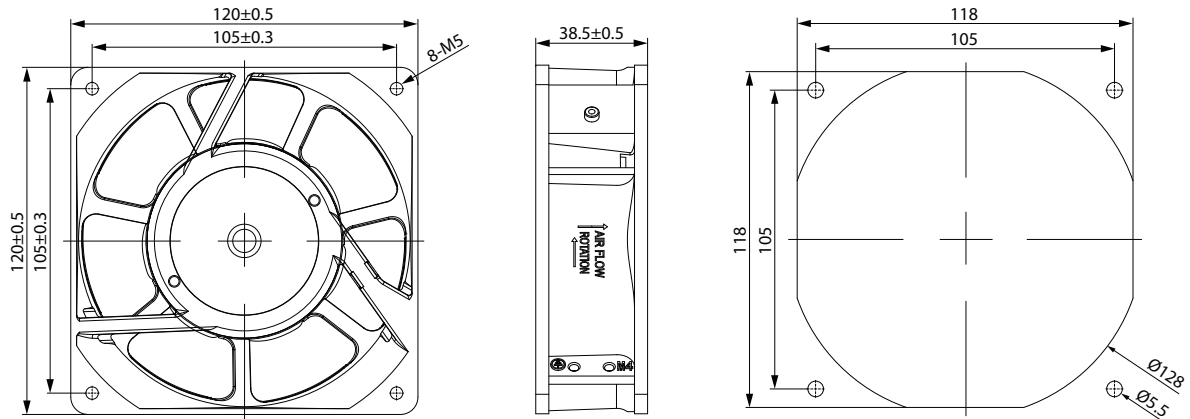


Fan Frame:	Die-cast Aluminum(Black or Silver coating)
Fan Impeller:	Plastic
Operation Temp.:	-30~60°C
Operation Voltage Range:	110V(±10%); 220V(±10%)
Dielectric Strength:	5mA Max.at 1500V for 1 min
Safety:	Impedance Protected
Termination:	Lead Wire; Pin
Weight:	490g
Protection Class:	IP44
Insulation:	Class A
Option:	Customized Dual Voltage 110V/220V

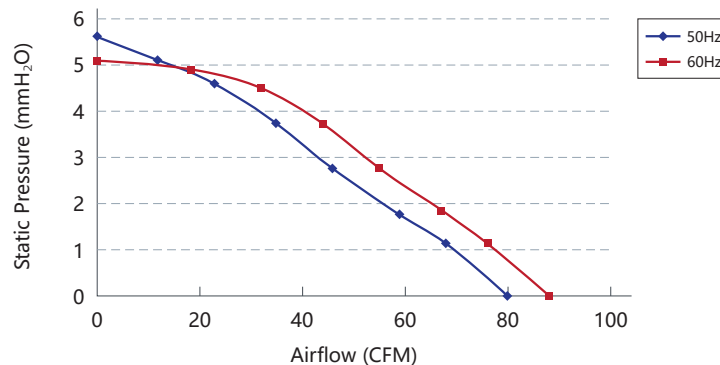
Specifications

Model	Bearing	Blades	Voltage	Freq.	Current	Power	Speed	Noise	Max. Air Flow	Pressure	
No.			VAC	Hz	A	W	RPM	dB(A)	m³/h	CFM	mmH ₂ O
GN120B1	Ball	7	100/125	50/60	0.24/0.22	19/18	2500/2700	44/46	136/149.6	80/88	5.6/5.1
GN120B2	Ball	7	200/240	50/60	0.12/0.11	19/18	2500/2700	44/46	136/149.6	80/88	5.6/5.1
GN120B3	Ball	7	360/400	50/60	0.09/0.08	19/18	2500/2700	44/46	136/149.6	80/88	5.6/5.1

Engineering Drawing (mm)



Air Performance



AC Axial Fan - GW Series
AC Axial Fan - GN Series
AC Radial Fan - GRA Series