

GN120A-7

120x120x25mm (4.7"x4.7"x1")

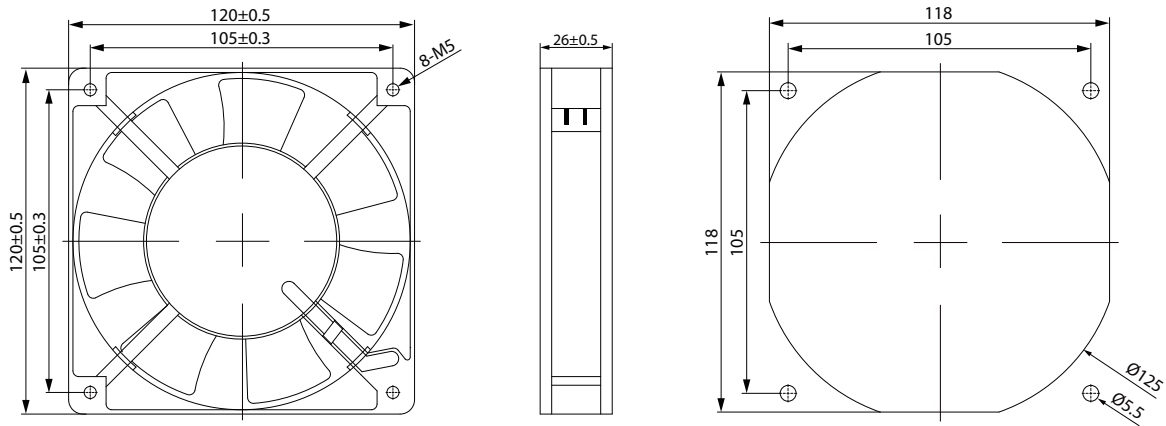


Fan Frame:	Die-cast Aluminum(Black or Silver coating)
Fan Impeller:	Plastic
Operation Temp.:	-30~60°C
Operation Voltage Range:	110V(±10%); 220V(±10%)
Dielectric Strength:	5mA Max.at 1500V for 1 min
Safety:	Impedance Protected
Termination:	Lead Wire; Pin
Weight:	360g
Protection Class:	IP44
Insulation:	Class A

Specifications

Model	Bearing	Blades	Voltage	Freq.	Current	Power	Speed	Noise	Max. Air Flow	Pressure	
No.			VAC	Hz	A	W	RPM	dB(A)	m³/h	CFM	mmH ₂ O
GN120A1	Ball	7	100/125	50/60	0.14/0.12	13	2000/2200	39/41	91.8/95.2	54/56	3.1/2.8
GN120A2	Ball	7	200/240	50/60	0.08/0.07	13	2000/2200	39/41	91.8/95.2	54/56	3.1/2.8
GN120A3	Ball	7	360/400	50/60	0.05/0.04	13	2000/2200	39/41	91.8/95.2	54/56	3.1/2.8

Engineering Drawing (mm)



Air Performance

