

GN120A-5

120x120x25mm (4.7"x4.7"x1")

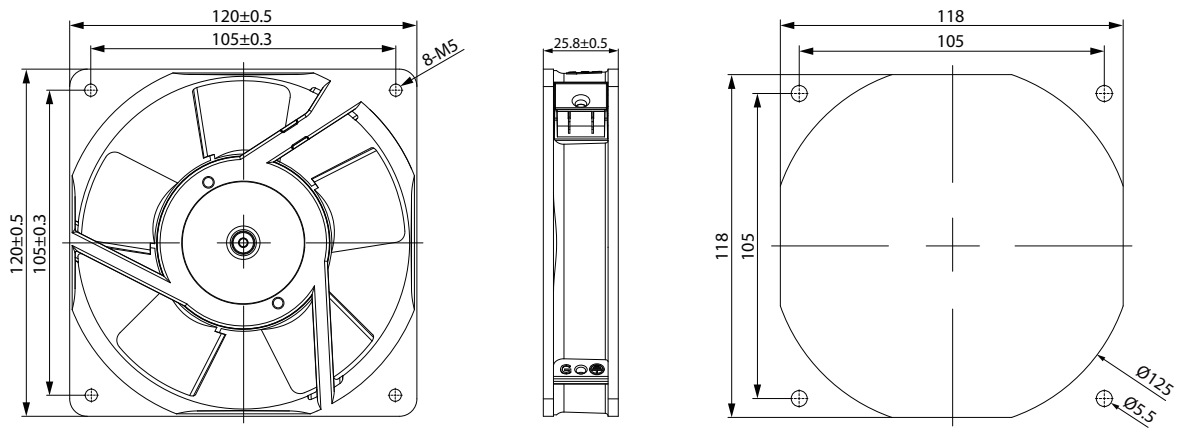


Fan Frame: Die-cast Aluminum(Black or Silver coating)
 Fan Impeller: Plastic
 Operation Temp.: -30~60°C
 Operation Voltage Range: 110V(±10%); 220V(±10%)
 Dielectric Strength: 5mA Max.at 1500V for 1 min
 Safety: Impedance Protected
 Termination: Lead Wire; Pin
 Weight: 350g
 Protection Class: IP44
 Insulation: Class A

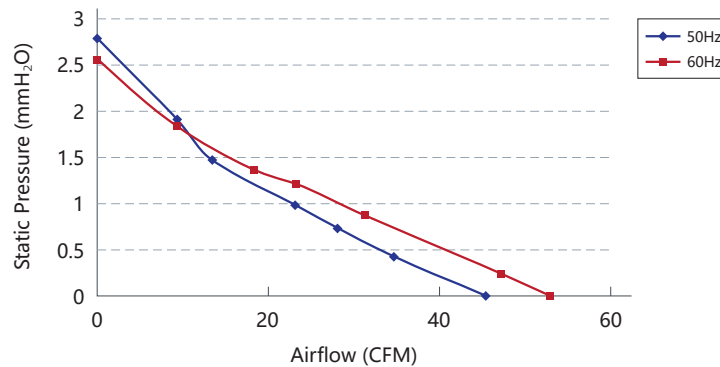
Specifications

Model	Bearing	Blades	Voltage	Freq.	Current	Power	Speed	Noise	Max. Air Flow	Pressure	
No.			VAC	Hz	A	W	RPM	dB(A)	m³/h	CFM	mmH ₂ O
GN120A1	Ball	5	100/125	50/60	0.12/0.11	12/11	1800/2000	39/41	76.5/89.7	45/52.8	2.79/2.56
GN120A2	Ball	5	200/240	50/60	0.07/0.06	12/11	1800/2000	39/41	76.5/89.7	45/52.8	2.79/2.56
GN120A3	Ball	5	360/400	50/60	0.05/0.04	12/11	1800/2000	39/41	76.5/89.7	45/52.8	2.79/2.56

Engineering Drawing (mm)



Air Performance



AC Axial Fan - GW Series
AC Axial Fan - GN Series
AC Radial Fan - GRA Series